



東元**Ex d**低壓隔爆馬達
(For GB,IEC)

GB MODEL : **TEBY**

TYPE : **AFBY / AFBU**

FLAMEPROOF MOTORS Ex d
INVERTER DUTY
LOW VOLTAGE SQUIRREL CAGE
FRAME SIZE. : **80M** ~ 355L



32057R9527

REV. 02

		SPECIFICATION TABLE		MODEL	
		FLAMEPROOF MOTORS Ex d LOW VOLTAGE SQUIRREL CAGE		TEBY	
ITEM		STANDARD SPECIFICATION			
R A T I O N G	Kind of Motors	Squirrel - Cage Induction Motors (SCIM) .			
	Design Standards	GB , IEC.			
	Voltages	Fr#80-Fr#100: 200V~480V			
		Fr#112-Fr#132: 200V~690V			
		Fr#160~Fr#355:200V~1140V			
	Torque Control	Decreasing torque:5-50Hz Contant torque:25-50Hz Contant Power:50-100Hz However,2P-45kW Above:Contant Power 50-60Hz 4P-200kW Above:Contant Power 50-60Hz			
	Frequency	50Hz .			
	Output Range	0.75 kW ~ 355 kW .(2 ~ 10 Poles).			
	Time Duty	Continuous. S1 , S.F. : 1.0			
	Frame Nos.	80M ~ 355L .			
	Protection Enclosure	Standard:Totally Enclosed Fan Cooled (IP55)			
Option:IP65 (IIC)					
Cooling Method	Self External Fan, Surface Cooling (IC 411) .				
Mounting	AFBY : Horizontal Foot Mounted B3 (IM 1001) .				
	AFBU : Vertical Flange Mounting V1 (IM 3011) .				
A P P L I C A T I O N	Environment Conditions	Place : Zone 1 Hazardous . Ambient Temperature : -20 ~ 50 °C . Relative Humidity : Less Than 90% RH (Non - Condensation) . Altitude : Less Than 1,000 Meters .			
	Hazardous Location	Suitable For Zone 1 , Ex d GroupII A, II B ,II C			
	Power Source Conditions	Voltage : ±10% , Frequency : ±5% , and 10% Max. of Combined Voltage and Frequency . But Frequency Variation Does Not Exceed ±5% .			
	Method of Starting	Full Voltage Direct On Line or Y - △ Starting .			
	Drive Method	Direct Coupling			
	Direction of Rotation	CW According to GB Definition, Suitable For Bi - Directional Operation .			
P E R F O R M A N C E	Test Procedure For Explosion Proof	According to GB 3836.1 , GB 3836.2 .			
	Test Procedure	GB/T 1032 Method B , IEC 60034-2-1 And Full Voltage Measuring Starting Performance .			
	Winding Temperature Rise	Not to Exceed 80K By Resistance Method at S.F 1.0 Operation .			
	External Surface Temperature	Comply With Operating Temperature Code T4 For Sinusoidal Power .			
		Comply With Operating Temperature Code T4 For inverter Power .			
	Over Speed	120% Syn. R.P.M. for 2 Min .			
	Over Torque	160% Rated Torque for 15 Sec .			
Vibration (r.m.s)	Vibration grade	Shaft height / mm	80 ≤ H ≤ 132	132 < H ≤ 280	H > 280
		Mounting	Velocity mm/s	Velocity mm/s	Velocity mm/s
	A	Free suspension	1.6	2.2	2.8

		SPECIFICATION TABLE		MODEL TEBY	
		FLAMEPROOF MOTORS Ex d LOW VOLTAGE SQUIRREL CAGE			
ITEM		STANDARD SPECIFICATION			
O T H E R	Certification Marking	Standard: Ex d II B T4 Gb (Fr#80~355) Other Option: Ex d II C T4 Gb (Fr#80~355)			
	Certificate Number	Ex d II B T4 Gb (Fr#80~355)			
		F#	GB	IEC	ATEX
		80	CJEx20.0463	IECEX CQM16.0040X	n.ECM 18 ATEX-B UN72
		90	CJEx20.0464		
		100	CJEx20.0465		
		112	CJEx20.0466		
		132	CJEx20.0467		
		160	CJEx20.0468	IECEX CQM16.0041X	n.ECM 18 ATEX-B UN74
		180	CJEx20.0469		n.ECM 18 ATEX-B UN76
		200	CJEx20.0470		
		225	CJEx20.0471		
		250	CJEx20.0472		IECEX CQM16.0042X
		280	CJEx20.0473	IECEX CQM16.0042X	n.ECM 18 ATEX-B UN78
		315	CJEx20.0474		n.ECM 18 ATEX-B UN80
		355	CJEx20.0475		
		Ex d II C T4 Gb (Fr#80~355)			
		F#	GB	IEC	ATEX
		80	CJEx20.0476	IECEX CQM16.0040X	n.ECM 18 ATEX-B UN73
		90	CJEx20.0477		
		100	CJEx20.0478		
		112	CJEx20.0479		
		132	CJEx20.0480		
		160	CJEx20.0481	IECEX CQM16.0041X	n.ECM 18 ATEX-B UN75
		180	CJEx20.0482		n.ECM 18 ATEX-B UN77
		200	CJEx20.0483		
		225	CJEx20.0484		
		250	CJEx20.0485		IECEX CQM16.0042X
		280	CJEx20.0486	n.ECM 18 ATEX-B UN81	
		315	CJEx20.0487		
		355	CJEx20.0488		

PERFORMANCE DATA

MODEL

TEBY

IE3 EFFICIENCY 3-PHASE INDUCTION MOTORS
LOW VOLTAGE SQUIRREL CAGE

TEFC, CLASS F, 40°C AMBIENT TEMP.
IEC ; GB DESIGN N CONTINUOUS DUTY
S.F. 1.0, 380V 50HZ

TYPICAL PERFORMANCE

(380 V)

OUTPUT		FULL LOAD	FRAME NO.	EFFICIENCY			POWER FACTOR			CURRENT		TORQUE				ROTOR GD ²	NOISE SOUND POWER NO-LOAD dB(A)	Approx Weight Kg
				FULL LOAD (%)	3/4 LOAD (%)	2/4 LOAD (%)	FULL LOAD (%)	3/4 LOAD (%)	2/4 LOAD (%)	FULL LOAD (A)	LOCKED ROTOR %FLC	FULL LOAD kg-m	LOCKED ROTOR %FLT	PULL UP %FLT	BREAK DOWN %FLT			
kW	HP	rpm																
0.75	1	2875	80M	80.7	78.3	75.1	83.5	77.0	65.5	1.69	780	0.254	280	275	335	0.006	78	29
		1410	80M	82.5	81.8	79.7	73.5	64.0	50.0	1.88	640	0.518	315	290	335	0.013	66	31
		935	90L	78.9	80.6	79.4	71.0	62.5	49.0	2.03	470	0.782	205	190	225	0.022	63	42
		700	100L	75.0	74.7	70.9	60.5	51.0	39.0	2.51	420	1.044	225	215	235	0.041	64	54
1.1	1.5	2870	80M	82.7	83.0	81.3	85.0	78.5	66.5	2.38	800	0.373	300	295	350	0.007	78	31
		1430	90L	84.1	84.4	83.2	79.5	71.5	57.5	2.50	720	0.750	255	205	290	0.019	66	40
		930	90L	81.0	81.2	80.5	72.0	63.5	50.0	2.87	490	1.153	200	185	215	0.026	63	45
		695	100L	77.7	78.8	76.8	66.0	57.0	44.0	3.26	420	1.542	200	190	210	0.059	64	57
1.5	2	2850	90L	84.2	85.4	85.8	90.5	87.0	78.0	2.99	800	0.513	220	210	280	0.012	78	40
		1435	90L	85.3	84.1	82.2	75.0	65.5	51.5	3.56	760	1.019	300	235	335	0.023	66	43
		950	100L	82.5	82.9	81.5	72.5	65.0	52.0	3.81	500	1.539	200	175	225	0.058	64	56
		700	112M	79.7	80.2	79.1	69.5	61.0	48.0	4.11	460	2.088	165	140	205	0.090	70	73
2.2	3	2860	90L	85.9	86.7	86.8	89.5	85.0	75.5	4.35	850	0.750	245	235	315	0.014	78	42
		1450	100L	86.7	87.3	86.9	81.0	73.5	60.5	4.76	735	1.479	200	160	270	0.045	70	54
		960	112M	84.3	84.3	82.2	67.0	59.0	47.0	5.92	525	2.233	175	175	250	0.083	70	73
		705	132S	81.9	82.2	79.8	69.0	60.0	46.5	5.92	555	3.041	230	205	265	0.138	71	88
3	4	2855	100L	87.1	88.3	88.4	90.0	86.5	78.5	5.81	880	1.024	255	240	355	0.025	82	55
		1455	100L	87.7	87.7	86.2	78.0	70.5	57.5	6.66	780	2.009	250	240	335	0.052	70	56
		970	132S	85.6	86.1	85.1	76.0	70.0	57.5	7.01	655	3.014	175	170	300	0.137	73	87
		715	132M	83.5	83.2	80.1	63.0	53.5	40.5	8.66	570	4.089	280	250	325	0.180	71	96
4	5.5	2875	112M	88.1	89.0	88.9	91.0	87.5	80.0	7.58	950	1.356	270	250	360	0.046	83	72
		1445	112M	88.6	88.4	87.9	82.0	76.5	65.5	8.37	715	2.698	245	205	280	0.083	72	72
		970	132M	86.8	87.2	86.3	77.0	70.0	57.5	9.09	670	4.019	180	175	310	0.182	73	95
		720	160M	84.8	84.7	82.5	70.5	62.0	48.5	10.2	590	5.414	190	170	250	0.343	72	130
5.5	7.5	2930	132S	89.2	89.8	89.5	86.0	84.0	77.5	10.9	800	1.829	205	205	340	0.075	85	85
		1455	132S	89.6	90.4	90.3	85.0	80.5	70.0	11.0	735	3.684	245	200	300	0.132	75	90
		970	132M	88.0	88.0	86.2	79.5	72.5	60.0	11.9	780	5.525	210	205	300	0.216	73	103
		720	160M	86.2	85.2	83.3	71.5	63.0	50.0	13.6	605	7.444	200	185	275	0.503	72	144
7.5	10	2920	132S	90.1	90.9	90.8	87.0	84.5	77.5	14.5	725	2.503	195	195	315	0.081	85	93
		1450	132M	90.4	90.8	90.4	85.0	80.0	69.5	14.8	780	5.040	270	225	330	0.172	75	97
		970	160M	89.1	90.0	89.0	79.0	73.0	61.0	16.2	715	7.535	235	210	280	0.483	73	142
		720	160L	87.3	87.3	85.8	71.0	64.5	51.0	18.4	595	10.15	225	215	295	0.670	72	160

				PERFORMANCE DATA												MODEL		
				IE3 EFFICIENCY 3-PHASE INDUCTION MOTORS LOW VOLTAGE SQUIRREL CAGE												TEBY		
OUTPUT		FULL LOAD rpm	FRAME NO.	EFFICIENCY			POWER FACTOR			CURRENT		TORQUE				ROTOR GD ² kg-m ²	NOISE SOUND POWER NO- LOAD dB(A)	Approx Weight Kg
kW	HP			FULL LOAD (%)	3/4 LOAD (%)	2/4 LOAD (%)	FULL LOAD (%)	3/4 LOAD (%)	2/4 LOAD (%)	FULL LOAD (A)	LOCKED ROTOR %FLC	FULL LOAD kg-m	LOCKED ROTOR %FLT	PULL UP %FLT	BREAK DOWN %FLT			
11	15	2935	160M	91.2	92.0	92.0	90.0	89.0	83.5	20.4	775	3.652	230	185	285	0.183	87	127
		1460	160M	91.4	92.0	91.5	85.0	81.0	71.0	21.5	775	7.342	230	185	270	0.366	77	140
		970	160L	90.3	91.0	90.5	78.0	72.0	60.5	23.7	755	11.05	295	255	285	0.628	73	159
		720	180L	88.6	88.6	88.1	78.0	73.0	62.0	24.2	565	14.89	170	150	210	1.273	76	227
15	20	2935	160M	91.9	92.0	92.0	89.0	85.5	77.5	27.9	865	4.980	275	230	330	0.205	87	140
		1460	160L	92.1	92.5	92.5	85.0	81.5	71.4	29.1	810	10.01	250	195	285	0.460	77	157
		970	180L	91.2	92.0	92.0	82.0	78.0	68.0	30.5	690	15.07	215	165	230	1.337	77	226
		730	200L	89.6	88.9	87.5	78.0	72.0	60.0	32.6	605	20.02	195	170	230	2.082	79	330
18.5	25	2930	160L	92.4	93.0	93.0	90.0	89.5	84.0	33.8	810	6.153	245	200	295	0.237	87	156
		1475	180M	92.6	94.0	93.0	85.0	82.4	75.0	35.7	790	12.22	215	160	255	0.704	80	196
		975	200L	91.7	92.5	92.5	80.5	76.0	66.5	38.1	720	18.49	220	185	240	1.829	80	302
		735	225M	90.1	90.7	90.7	72.0	65.5	58.0	43.3	540	24.53	210	185	235	2.675	79	355
22	30	2940	180M	92.7	92.7	92.5	87.0	85.0	77.0	41.4	760	7.292	225	180	275	0.283	88	218
		1475	180L	93.0	93.5	93.0	85.0	81.9	74.1	42.3	785	14.53	190	145	245	0.789	80	220
		975	200L	92.2	93.0	93.5	81.5	77.0	68.0	44.5	720	21.99	210	185	240	2.078	80	331
		740	225M	90.6	90.8	90.4	73.0	68.0	62.0	50.5	570	28.97	225	180	230	3.256	79	364
30	40	2950	200L	93.3	93.5	92.5	90.0	90.0	86.5	54.3	775	9.910	200	145	270	0.602	90	295
		1470	200L	93.6	94.5	94.5	86.0	84.5	77.0	56.6	830	19.89	250	205	280	1.451	83	328
		980	225M	92.9	93.5	93.5	83.5	80.0	76.5	58.8	600	29.83	200	160	215	3.023	80	366
		735	250M	91.3	91.8	91.8	74.5	68.0	58.0	67.0	555	39.78	210	170	245	4.565	80	499
37	50	2955	200L	93.7	94.5	94.0	91.0	90.5	87.0	65.9	815	12.20	195	145	280	0.753	90	321
		1480	225M	93.9	94.5	94.0	85.5	82.0	73.0	70.0	760	24.36	210	175	300	1.896	84	357
		980	250M	93.3	94.0	94.0	85.0	81.5	75.0	70.9	730	36.79	230	200	250	4.194	82	497
		735	280S	91.8	92.2	91.6	77.5	73.5	64.5	79.0	650	49.06	130	110	210	6.277	82	595
45	60	2960	225M	94.0	94.0	93.5	91.0	91.0	88.0	79.9	810	14.81	150	140	290	1.187	92	365
		1480	225M	94.2	94.5	94.0	85.0	80.0	70.4	85.4	735	29.63	210	175	290	1.979	84	365
		985	280S	93.7	93.7	93.0	81.5	77.5	67.5	89.5	690	44.52	185	175	285	5.530	85	610
		740	280M	92.2	92.6	92.0	78.0	73.5	62.0	95.1	545	59.26	155	130	260	7.726	82	675
		590	315S	91.5	91.7	91.0	75.0	72.4	64.9	99.4	620	74.33	150	100	200	16.45	78	1,015
55	75	2970	250M	94.3	94.5	94.0	91.5	90.0	86.5	96.8	800	18.05	150	130	315	1.544	92	496
		1485	250M	94.6	94.6	94.0	87.5	84.5	77.0	101	780	36.09	210	185	265	3.911	85	502
		985	280M	94.1	94.1	93.5	83.0	80.0	71.0	107	685	54.41	185	175	300	6.733	85	695
		735	315S	92.5	92.7	92.2	80.5	76.5	65.0	112	620	72.92	140	115	220	9.671	88	1,021
		590	315M	92.0	92.2	91.7	75.0	73.8	70.9	121	620	90.84	150	100	200	20.25	78	1,065
75	100	2970	280S	94.7	94.6	93.6	90.0	89.8	87.6	134	900	24.61	155	135	300	1.935	94	596
		1480	280S	95.0	95.0	94.5	85.0	82.0	73.0	141	900	49.38	160	150	300	5.033	88	621
		985	315S	94.6	94.5	93.7	84.5	81.0	71.0	143	669	74.20	200	180	280	9.600	89	1,020
		738	315M	93.1	93.0	91.4	80.0	76.0	65.5	153	550	99.03	140	105	220	19.54	88	1,078
		590	315L	92.5	92.3	90.8	76.0	75.2	71.4	162	580	123.9	150	90	200	24.00	83	1,200

		PERFORMANCE DATA														MODEL		
		IE3 EFFICIENCY 3-PHASE INDUCTION MOTORS LOW VOLTAGE SQUIRREL CAGE														TEBY		
OUTPUT		FULL LOAD rpm	FRAME NO.	EFFICIENCY			POWER FACTOR			CURRENT		TORQUE				ROTOR GD ² kg-m ²	NOISE SOUND POWER NO- LOAD dB(A)	Approx Weight Kg
kW	HP			FULL LOAD (%)	3/4 LOAD (%)	2/4 LOAD (%)	FULL LOAD (%)	3/4 LOAD (%)	2/4 LOAD (%)	FULL LOAD (A)	LOCKED ROTOR %FLC	FULL LOAD kg-m	LOCKED ROTOR %FLT	PULL UP %FLT	BREAK DOWN %FLT			
90	125	2970	280M	95.0	95.0	94.0	90.5	90.0	82.5	159	900	29.53	150	135	285	2.463	94	677
		1480	280M	95.2	95.2	94.7	85.0	81.0	71.3	169	880	59.26	175	165	300	6.112	88	702
		985	315M	94.9	94.9	94.2	85.0	82.5	75.0	170	704	89.04	200	180	250	15.20	89	1,077
		735	315L	93.4	93.4	93.0	81.5	79.0	72.0	180	600	119.3	150	110	200	24.00	88	1,078
		590	315L	93.0	93.0	92.6	77.0	75.7	70.6	191	590	148.7	150	90	200	29.75	83	1,268
110	150	2970	315S	95.2	95.0	94.3	91.0	89.5	85.6	193	834	36.09	230	200	280	3.200	98	1,018
		1480	315S	95.4	95.2	94.8	88.5	86.5	80.5	198	725	72.43	210	180	270	7.600	94	1,025
		985	315L	95.1	95.0	94.2	85.0	83.0	75.5	207	667	108.8	200	180	250	18.40	89	1,210
		735	315L	93.7	93.5	92.8	80.5	77.0	67.0	222	600	145.8	160	105	230	30.15	88	1,285
		590	355M	93.2	93.0	92.3	78.0	76.7	73.3	230	600	181.7	130	90	200	45.35	83	1,625
132	175	2975	315M	95.4	95.1	94.4	91.0	90.5	87.0	231	755	43.24	150	130	280	4.800	98	1,074
		1485	315M	95.6	95.5	94.8	89.0	87.5	83.0	236	793	86.62	200	180	270	10.40	94	1,080
		985	315L	95.4	95.3	94.3	84.5	82.5	75.0	249	663	130.6	200	180	250	20.40	89	1,282
		740	355M	94.0	93.8	93.4	84.0	79.0	69.0	254	620	173.8	100	90	230	39.23	92	1,632
		590	355M	93.5	93.3	92.9	78.0	77.6	75.4	275	600	218.0	130	90	200	51.20	83	1,690
160	215	2975	315L	95.6	95.5	94.5	91.0	90.5	87.0	279	764	52.41	160	140	270	5.200	98	1,208
		1482	315L	95.8	95.6	94.8	89.0	88.0	83.5	285	770	105.2	200	180	270	11.60	94	1,210
		985	355M	95.6	95.5	94.5	84.5	82.5	75.0	301	660	158.3	140	115	230	31.60	94	1,630
		735	355M	94.3	94.2	93.2	84.0	80.0	70.0	307	680	212.1	110	90	240	46.15	92	1,700
		590	355L	93.5	93.4	92.7	78.0	76.7	73.3	333	600	264.3	130	90	200	66.80	90	1,878
185	250	2975	315L	95.7	95.5	94.5	91.0	89.0	85.0	323	840	60.60	160	135	260	6.302	98	1,279
		1482	315L	95.9	95.6	94.6	88.5	86.5	82.5	331	680	121.6	130	105	230	14.07	94	1,285
		745	355L	94.4	94.2	93.2	82.0	77.0	69.0	363	640	242.0	180	90	200	51.60	92	1,897
		590	355L	93.5	93.4	92.7	78.0	76.7	73.3	385	600	305.6	130	90	200	66.80	90	1,970
		200	270	2975	315L	95.8	95.6	94.6	91.0	90.5	88.0	349	735	65.51	160	140	260	6.000
1485	315L			96.0	95.6	95.2	89.5	88.8	84.5	354	740	131.2	200	180	260	14.00	94	1,356
985	355M			95.8	95.5	94.6	85.0	83.0	77.5	373	650	197.9	150	125	240	40.80	94	1,698
745	355L			94.6	94.4	93.4	83.0	79.0	70.0	387	640	261.6	180	90	200	65.40	92	1,983
590	355L			93.6	93.3	92.3	79.0	78.6	76.7	411	600	330.3	130	90	200	85.20	90	2,035
220	300	2975	355M	95.8	95.6	94.6	91.0	90.5	88.0	383	730	72.06	145	120	250	6.400	100	1,628
		1485	355M	96.0	95.6	95.2	89.0	88.0	84.0	391	740	144.4	140	115	230	14.40	95	1,643
		985	355L	95.8	95.5	94.6	85.0	83.0	77.5	410	650	217.7	150	125	255	40.80	94	1,895
		745	355L	94.6	94.4	93.4	83.0	79.0	70.0	426	600	287.8	180	90	200	65.40	92	2,050
		250	335	2975	355M	95.8	95.6	94.6	91.0	90.5	88.5	436	700	81.89	140	115	240	10.80
1485	355M			96.0	95.8	95.0	89.0	88.0	84.5	445	690	164.1	140	115	230	27.20	95	1,700
985	355L			95.8	95.6	94.8	85.5	83.5	78.0	464	660	247.3	150	125	230	46.00	94	1,980

		PERFORMANCE DATA														MODEL		
		IE3 EFFICIENCY 3-PHASE INDUCTION MOTORS LOW VOLTAGE SQUIRREL CAGE														TEBY		
OUTPUT		FULL LOAD rpm	FRAME NO.	EFFICIENCY			POWER FACTOR			CURRENT		TORQUE				ROTOR	NOISE	Approx Weight Kg
KW	HP			FULL LOAD (%)	3/4 LOAD (%)	2/4 LOAD (%)	FULL LOAD (%)	3/4 LOAD (%)	2/4 LOAD (%)	FULL LOAD (A)	LOCKED ROTOR %FLC	FULL LOAD kg-m	LOCKED ROTOR %FLT	PULL UP %FLT	BREAK DOWN %FLT	GD ² kg-m ²	SOUND POWER NO-LOAD dB(A)	
280	375	2975	355L	95.8	95.6	94.6	91.0	90.5	88.5	488	850	91.72	170	115	240	16.27	100	1,890
		1485	355L	96.0	95.8	95.0	89.5	88.0	84.5	495	735	183.7	200	115	270	32.79	95	1,896
		988	355L	95.8	95.6	94.8	85.0	83.0	77.5	522	760	276.2	180	150	270	53.38	94	2,051
315	420	2975	355L	95.8	95.6	94.7	91.5	91.0	89.0	546	711	103.2	140	115	240	14.00	100	1,978
		1485	355L	96.0	96.0	95.4	89.0	88.0	84.5	560	679	206.7	130	105	230	34.40	95	1,975
355	475	2975	355L	95.8	95.5	94.6	92.0	90.5	85.5	612	840	116.3	120	120	260	19.97	100	2,047
		1485	355L	96.0	95.8	95.3	89.0	87.5	81.0	631	780	233.0	200	180	280	39.22	95	2,052

- NOTE : 1. The above are typical values based on test according to GB/T 1032 method B, IEC 60034-2-1:2007.
2. Tolerance according to GB 755, IEC 60034-1.
3. Breakdown & Locked rotor torques are show as average expected voltages.
4. Efficiency, power factor, speed and torque are the same for other voltages.
Current values vary inversely with voltage.
- 5.(*) Efficiency, per TECO performance standard (Not IE3).
6. Noise : sound power level at no - load, dB(A), Tolerance + 3 dB(A)
7. Data subject to change without notice.

OUTLINE DIMENSIONS SHEET

MODEL

TEBY

FLAMEPROOF MOTORS Ex d

B3 (IM 1001) FRAME NOS. 80M ~ 100L

Totally Enclosed Fan - Cooled Type, Squirrel - Cage Rotor.

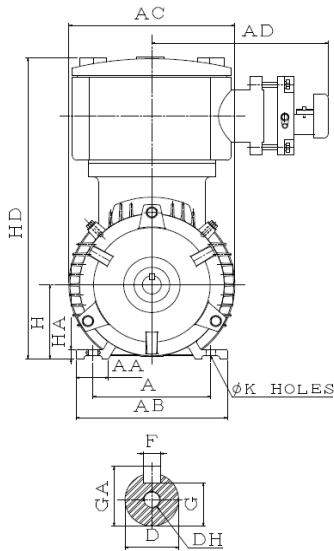


FIG.1

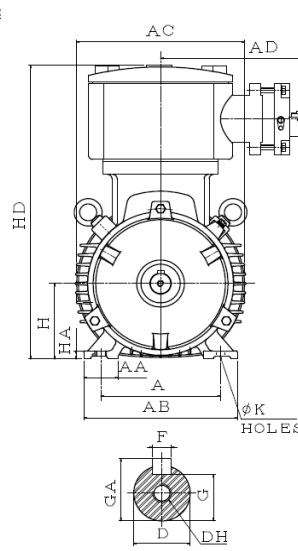
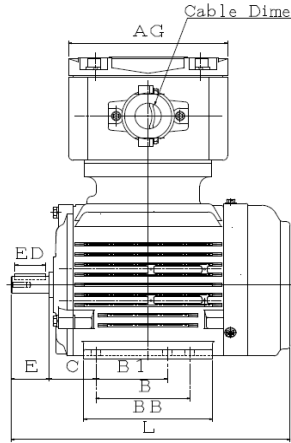


FIG.2

Dimensions in mm

Output (kW)				FRAME SIZE	A	AA	AB	AC	AD	AG	B1	B	BB	C	H	HA	HD	K	L	
2P	4P	6P	8P																	
0.75				80M	125	34.5	161	175	187.5	169	無	100	137	50	80	10	326	10	295	
1.1	0.75			90L	140	40	180	202			100	125	186	56	90					350
1.5	1.1	0.75									無	140	211	63	100	12	375	12	419	
2.2	1.5	1.1		100L	160	200	216	187.5	169	100	125	186	56	90	10	350	10	10	295	
3	2.2	1.5	0.75																	無
	3		1.1																	

FRAME SIZE	FIG. NO.	SHAFT EXTENSION							BEARING		EXPORT WIRE SIZE of CABLE GLAND BODY	THE RANGE of outer DIAMETER of INLET CABLE
		D	E	ED	F	G	GA	DH	DRIVE END	OPPOSITE DRIVE END		
		80M	1	19	40	32	6	15.5	21.5	M6X16	6204ZZC3	6204ZZC3
90L	2	24	50	40	8	20	27	M8X19	6205ZZC3	6205ZZC3		
100L		28	60	50		24	31	M10X22	6206ZZC3	6206ZZC3		

- Note :**
1. Tolerance of Shaft End Diameter D : j6 .
 2. Tolerance of shaft center height H : +0,-0.5.

OUTLINE DIMENSIONS SHEET

MODEL

TEBY

FLAMEPROOF MOTORS Ex d

B3 (IM 1001) FRAME NOS. 112M~160L

Totally Enclosed Fan - Cooled Type, Squirrel - Cage Rotor.

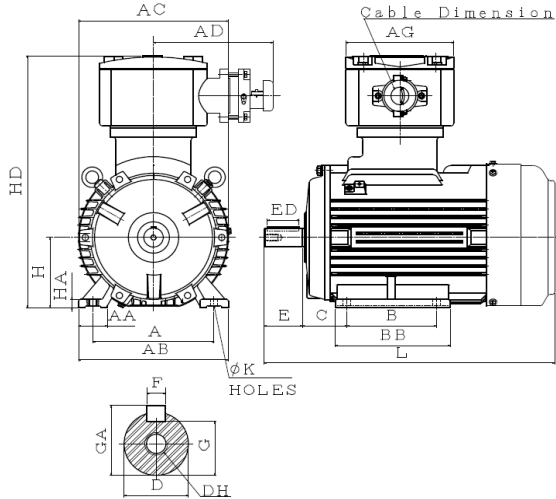


FIG.3

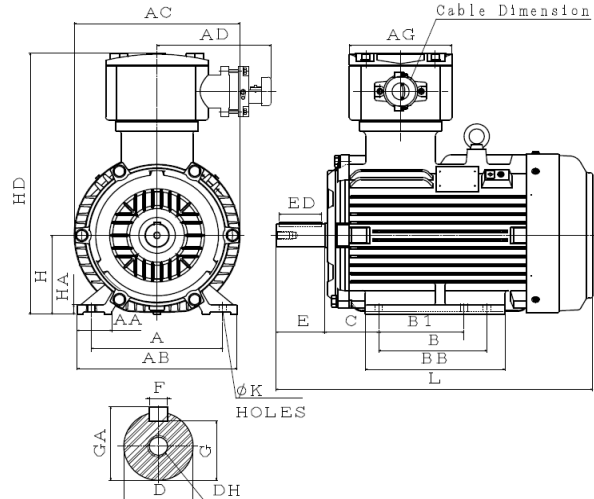


FIG.4

Dimensions in mm

Output (kW)				FRAME SIZE	A	AA	AB	AC	AD	AG	B1	B	BB	C	H	HA	HD	K	L								
2P	4P	6P	8P																								
4	4	2.2	1.5	112M	190	45	235	236	187.5	169	無	140	180	70	112	13	400	12	456								
5.5	5.5	3	2.2	132S	216	57	263	273					190	140	178	230	89		132	16	436	14.5	486				
7.5		4	3	132M																			216	57	263	273	190
—	7.5	5.5	3	132M	216	57	263	273	187.5	169	無	140	178	230	89	132	16	436	12	521							
11	11	7.5	4	160M	254	60	300	317	209	202	無	210	256	108	160	18	487	14.5	634								
15		5.5	3																	160M	210	256	108	160	18	487	14.5
18.5		15	11	7.5																160L	210	254	300	108	160	18	487

FRAME SIZE	FIG. NO.	SHAFT EXTENSION							BEARING		EXPORT WIRE SIZE of CABLE GLAND BODY	THE RANGE of outer DIAMETER of INLET CABLE
		D	E	ED	F	G	GA	DH	DRIVE END	OPPOSITE DRIVE END		
		112M	3	28	60	50	8	24	31	M10X22	6306ZZC3	6306ZZC3
132S	4	38	80	70	10	33	41	M12X28	6308ZZC3	6306ZZC3		
132M		42	110	100	12	37	45	M16X36	6309ZZC3	6307ZZC3	rubber sheath cable or M36x2 or NPT 1.25"	Ø13-Ø28
160M												
160L												

Note : 1. Tolerance of shaft end diameter D : 1) F#112 M : j6 . 2) F#132S~160L : k6.
2. Tolerance of shaft center height H : +0,-0.5.

OUTLINE DIMENSIONS SHEET

MODEL

TEBY

FLAMEPROOF MOTORS Ex d

B3 (IM 1001) FRAME NOS. 180M ~225M

Totally Enclosed Fan - Cooled Type, Squirrel - Cage Rotor.

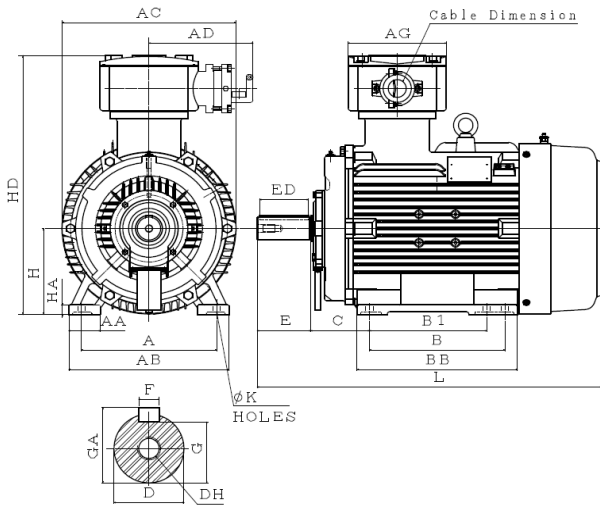


FIG.5

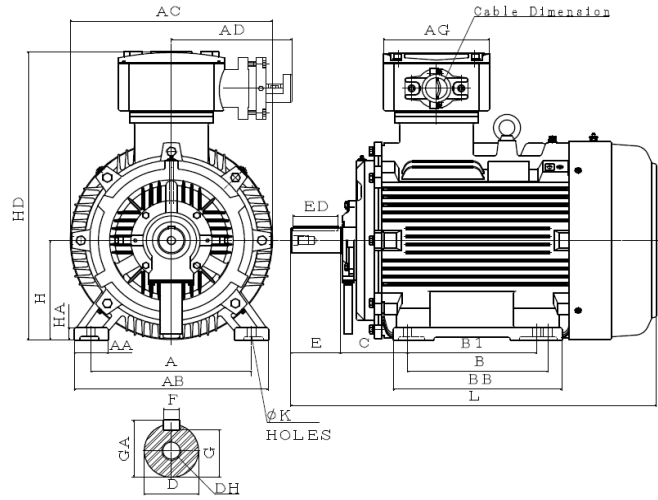


FIG.6

Dimensions in mm

Output (kW)				FRAME SIZE	A	AA	AB	AC	AD	AG	B1	B	BB	C	H	HA	HD	K	L
2P	4P	6P	8P																
—	18.5	—	—	180M	279	65	330	355	209	202	無	241	292	121	180	20	542	14.5	672
—	22	15	11								180L	241	279						330
30	30	18.5	15	200L	318	70	378	400	256	235	無	305	365	133	200	24	610	18.5	805
37		22									286	311	375						149
—	37	—	18.5	225M	356	75	431	448	256	235	286	311	375	149	225	28	652	18.5	(811)
45	45	30	22								841								

FRAME SIZE	FIG. NO.	SHAFT EXTENSION							BEARING		EXPORT WIRE SIZE of CABLE GLAND BODY	THE RANGE of outer DIAMETER of INLET CABLE
		D	E	ED	F	G	GA	DH	DRIVE END	OPPOSITE		
										DRIVE END		
180M	5	48	110	100	14	42.5	51.5	M16X36	6311C3	6310C3	rubber sheath cable or M36x2 or NPT 1.25"	Ø13~Ø28
180L										6212C3		
200L										55		
225M	6	(55) 60	(110) 140	(100) 125	(16) 18	(49) 53	(59) 64	M20X42	(6312C3) 6313C3	(6212C3) 6213C3		

- Note :**
1. Tolerance of shaft end diameter D : 1) F#180 : k6. 2) F#200L~225M : m6.
 2. Tolerance of shaft center height H : +0,-0.5.
 3. No. in () is for 2P.

OUTLINE DIMENSIONS SHEET

MODEL
TEBY

FLAMEPROOF MOTORS Ex d
B3 (IM 1001) FRAME NOS. 250M ~ 315M

Totally Enclosed Fan - Cooled Type, Squirrel - Cage Rotor.

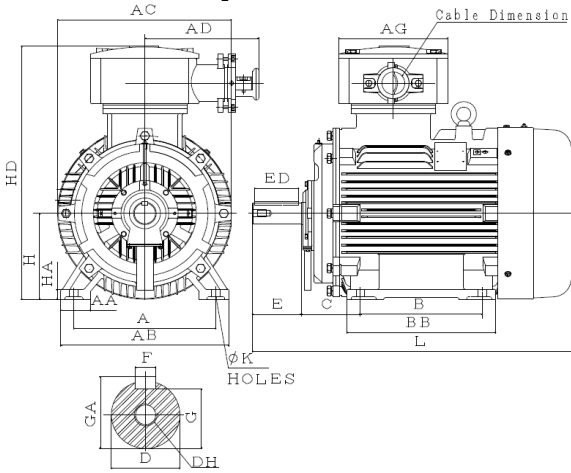


FIG.7

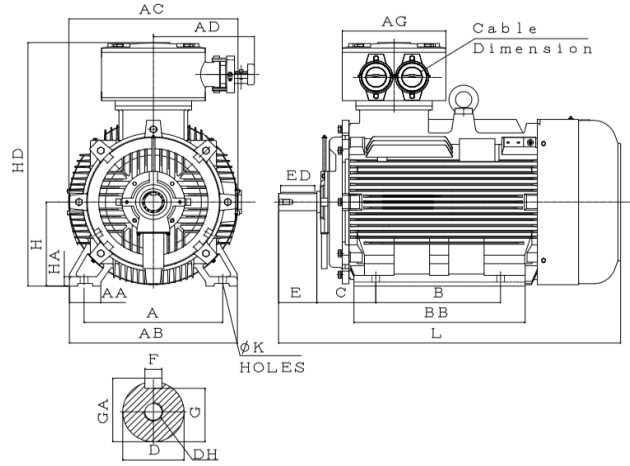


FIG.8

Dimensions in mm

Output (kW)					FRAME SIZE	A	AA	AB	AC	AD	AG	B	BB	C	H	HA	HD	K	L		
2P	4P	6P	8P	10P																	
55	55	37	30	—	250M	406	85	480	498	320	310	349	425	168	250	30	740	24	921		
75	75	45	37	—	280S	457	110	560	542			368	465	190	280	35	780		898	28	990
90	90	55	45	—	280M							419	516								1050
110	110	75	55	45	315S	508	115	615	620	370	380	406	550	216	315	35	913	28	(1173) 1203		
132	132	90	75	55	315M				630										457	610	(1253) 1283

FRAME SIZE	FIG. NO.	SHAFT EXTENSION							BEARING		EXPORT WIRE SIZE of CABLE GLAND BODY	THE RANGE of outer DIAMETER of INLET CABLE
		D	E	ED	F	G	GA	DH	DRIVE END	OPPOSITE DRIVE END		
250M	7	(60) 65	140	125	18	(53) 58	(64) 69	M20X42	(6313C3) 6315C3	(6313C3) 6313C3	rubber sheath cable or M64X2 or NPT 2.5"	Ø24-Ø40
280S		(65) 75			(18) 20	(58) 67.5	(69) 79.5		(6314C3) 6318C3	(6314C3) 6316C3		
280M		(65) 80			(140) 170	(125) 160	(18) 22		(58) 71	(69) 85		
315S	8	(65) 80	(140) 170	(125) 160	(18) 22	(58) 71	(69) 85	M20X40	(6316C3) 6320C3	(6314C3) 6316C3	rubber sheath cable or M64x2 or M63X1.5 or NPT 2.5"	Ø38-Ø58
315M		(65) 80	(140) 170	(125) 160	(18) 22	(58) 71	(69) 85					

- Note :**
1. Tolerance of Shaft End Diameter D : m6 .
 2. Tolerance of shaft center height H : 1)For #250, +0,-0.5; 2)For #280,315, +0,-1.
 3. No. in () is for 2P.

OUTLINE DIMENSIONS SHEET

MODEL

TEBY

FLAMEPROOF MOTORS Ex d

B3 (IM 1001) FRAME NOS. 315L ~ 355L

Totally Enclosed Fan - Cooled Type, Squirrel - Cage Rotor.

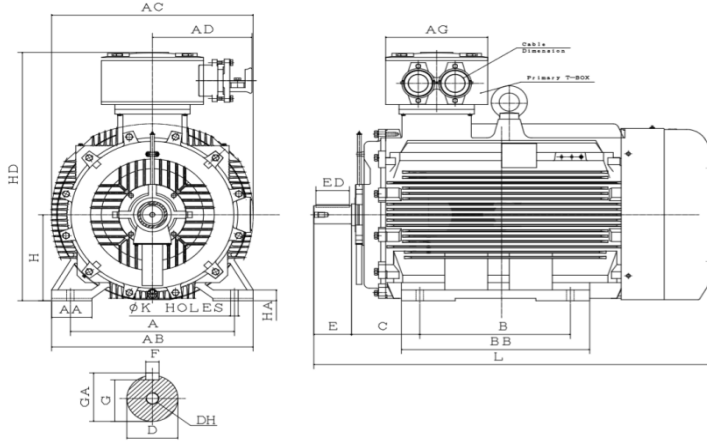


FIG.9

Dimensions in mm

Output (kW)					FRAME SIZE	A	AA	AB	AC	AD	AG	B	BB	C	H	HA	HD	K	L	
2P	4P	6P	8P	10P																
160	160	110	90	75	315L	508	115	615	630			508	680	216	315	35	913	28	(1353)	
185	185	132	110	90															(1383)	
200	200	—	—	—																
220	220	160	132	110	355M				370	380	560	700							(1488)	
250	250	200	160	132															(1518)	
280	280	220	185	160	355L	610	150	750	750			630	770	254	355	45	1028			(1538)
315	315	250	200	185																(1568)
355	355	280	220	200																

FRAME SIZE	FIG. NO.	SHAFT EXTENSION							BEARING		EXPORT WIRE SIZE of CABLE GLAND BODY	THE RANGE of outer DIAMETER of INLET CABLE
		D	E	ED	F	G	GA	DH	DRIVE END	OPPOSITE DRIVE END		
315L	8	(65) 80			(18) 22	(58) 71	(69) 85	M20X40	(6316C3) 6320C3	(6314C3) 6316C3	rubber sheath cable or M64x2 or M63x1.5 or NPT 2.5"	Ø38~Ø58
355M	9	(75) 95	(140) 170	(125) 160	(20) 25	(67.5) 86	(79.5) 100	(M20X40) M24X48	(6317C3) 6322C3	(6317C3) 6322C3		
355L												

- Note :**
1. Tolerance of Shaft End Diameter D : m6 .
 2. Tolerance of shaft center height H : +0,-1.
 3. No. in () is for 2P.

OUTLINE DIMENSIONS SHEET

MODEL

TEBY

FLAMEPROOF MOTORS Ex d

V1 (IM 3011) FRAME NOS. 80M~100L

Totally Enclosed Fan - Cooled Type, Squirrel - Cage Rotor.

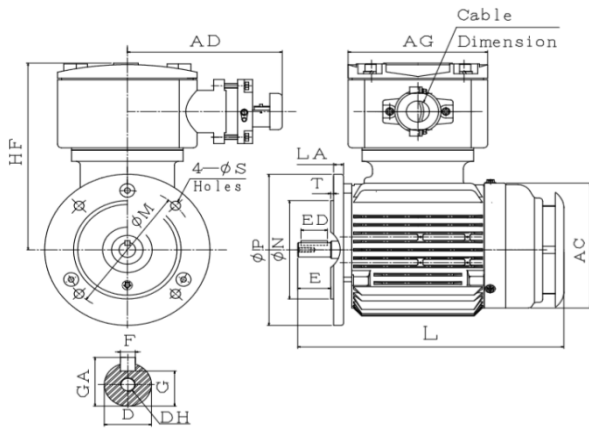


FIG.1

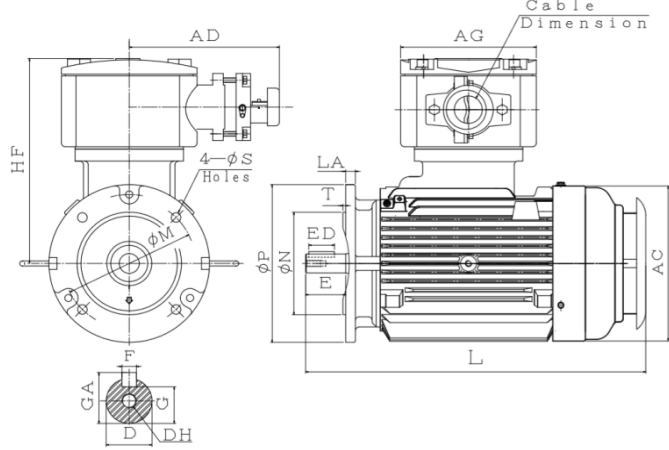


FIG.2

Dimensions in mm

Output (kW)				FRAME SIZE	FLANGE DIMENSION						AC	HF	AD	AG	L
2P	4P	6P	8P		LA	M	N	P	S	T					
0.75				80M	12	165	130	200	12	3.5	175	246	187.5	169	330
1.1	0.75														
1.5	1.1	0.75		90L	12	165	130	200	12	3.5	202	260	187.5	169	411
2.2	1.5	1.1													
3	2.2	1.5	0.75	100L	16	215	180	250	14.5	4	216	275	187.5	169	454
	3		1.1												

FRAME SIZE	FIG. NO.	SHAFT EXTENSION							BEARING		EXPORT WIRE SIZE of CABLE GLAND BODY	THE RANGE of outer DIAMETER of INLET CABLE
		D	E	ED	F	G	GA	DH	DRIVE END	OPPOSITE DRIVE END		
		80M	1	19	40	32	6	15.5	21.5	M6X16	6204ZZC3	6204ZZC3
90L	2	24	50	40	8	20	27	M8X19	6205ZZC3	6205ZZC3		
100L		28	60	50		24	31	M10X22	6206ZZC3	6206ZZC3		

- Note :**
1. Tolerance of Shaft End Diameter D : j6.
 2. Tolerance of N : j6 .
 3. Fr#80~132 : When installing the flange, the mounting bolt must be threaded in from the customer side.

OUTLINE DIMENSIONS SHEET

MODEL

TEBY

FLAMEPROOF MOTORS Ex d

V1 (IM 3011) FRAME NOS. 112M~160L

Totally Enclosed Fan - Cooled Type, Squirrel - Cage Rotor.

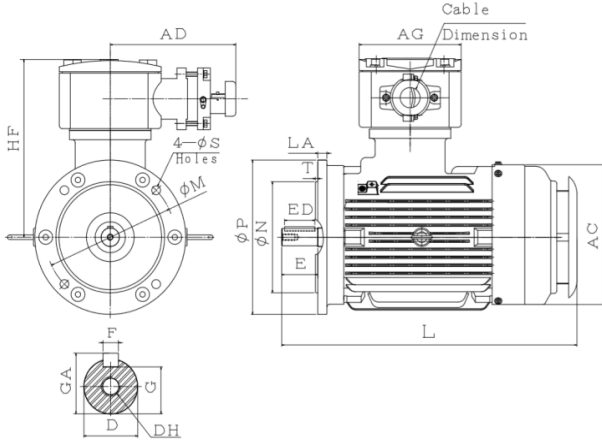


FIG.3

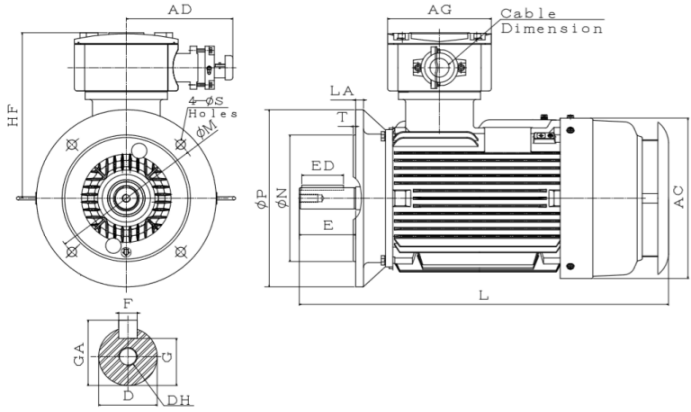


FIG.4

Dimensions in mm

Output (kW)				FRAME SIZE	FLANGE DIMENSION						AC	HF	AD	AG	L
2P	4P	6P	8P		LA	M	N	P	S	T					
4	4	2.2	1.5	112M	15	215	180	250	14.5	4	236	288	187.5	169	496
5.5	5.5	3	2.2	132S	16	265	230	300			273	313			531
—		7.5	4	3					132M	571					
11	11	7.5	4	160M	15	300	250	350	18.5	5	317	327	209	202	684
15		5.5	718												
18.5	15	11	7.5	160L											718

FRAME SIZE	FIG. NO.	SHAFT EXTENSION							BEARING		EXPORT WIRE SIZE of CABLE GLAND BODY	THE RANGE of outer DIAMETER of INLET CABLE
		D	E	ED	F	G	GA	DH	DRIVE END	OPPOSITE		
									DRIVE END	DRIVE END		
112M	3	28	60	50	8	24	31	M10X22	6306ZZC3	6306ZZC3	rubber sheath cable or M30x2 or NPT 1"	Ø13~Ø22
132S		38	80	70	10	33	41	M12X28	6308ZZC3	6306ZZC3		
132M												
160M	4	42	110	100	12	37	45	M16X36	6309ZZC3	6307ZZC3	rubber sheath cable or M36x2 or NPT 1.25"	Ø13~Ø28
160L												

Note : 1. Tolerance of Shaft End Diameter D : 1) F#112 M : j6. 2) F#132S~160L : k6.
2. Tolerance of N : j6 .

OUTLINE DIMENSIONS SHEET

MODEL

TEBY

FLAMEPROOF MOTORS Ex d

V1 (IM 3011) FRAME NOS. 180M ~225M

Totally Enclosed Fan - Cooled Type, Squirrel - Cage Rotor.

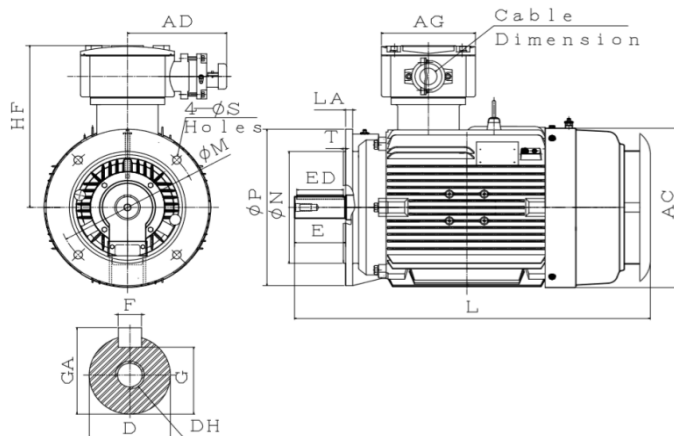


FIG.5

Dimensions in mm

Output (kW)				FRAME SIZE	FLANGE DIMENSION						AC	HF	AD	AG	L
2P	4P	6P	8P		LA	M	N	P	S	T					
—	18.5	—	—	180M	15	300	250	350	18.5	5	355	362	209	202	732
22	—	—	—												770
—	22	15	11	180L	17	350	300	400	18.5	5	400	410	256	235	875
30	30	18.5	15	200L											901
37		22	—	—	225M	20	400	350	450	18.5	5	448	427	235	(871)
45	45	30	22	901											

FRAME SIZE	FIG. NO.	SHAFT EXTENSION							BEARING		EXPORT WIRE SIZE of CABLE GLAND BODY	THE RANGE of outer DIAMETER of INLET CABLE
		D	E	ED	F	G	GA	DH	DRIVE END	OPPOSITE		
										DRIVE END		
180M	5	48	110	100	14	42.5	51.5	M16X36	6311C3	6310C3	rubber sheath cable or M36x2 or NPT 1.25"	Ø13~Ø28
180L										6312C3		
200L	6	55	110	100	16	49	59	M20X42	6312C3	6212C3	rubber sheath cable or M48x2 or NPT 1.5" or NPT 2"	Ø19~Ø37
225M										(6312C3) 6313C3		

- Note :**
1. Tolerance of Shaft End Diameter D : 1) F#180 : k6. 2) F#200L~225M : m6.
 2. Tolerance of N : 1) F#180 : j6. 2) F#200L~225M : js6.
 3. No. in () is for 2P.

OUTLINE DIMENSIONS SHEET

MODEL

TEBY

FLAMEPROOF MOTORS Ex d

V1 (IM 3011) FRAME NOS. 250M ~315M

Totally Enclosed Fan - Cooled Type, Squirrel - Cage Rotor.

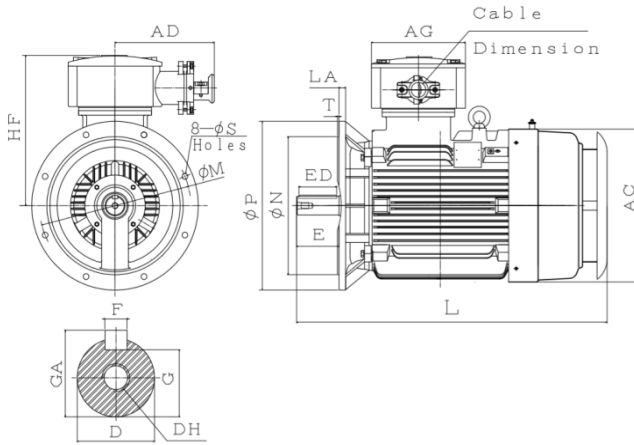


FIG.6

Dimensions in mm

Output (kW)					FRAME SIZE	FLANGE DIMENSION						AC	HF	AD	AG	L
2P	4P	6P	8P	10P		LA	M	N	P	S	T					
55	55	37	30	—	250M							498	490			993
75	75	45	37	—	280S	22	500	450	550	18.5	5	542	500	320	310	1090
90	90	55	45	—	280M											1150
110	110	75	55	45	315S							620	583			(1303) 1333
132	132	90	75	55	315M	25	600	550	660	24	6	630	598	370	380	(1383) 1413

FRAME SIZE	FIG. NO.	SHAFT EXTENSION							BEARING		EXPORT WIRE SIZE of CABLE GLAND BODY	THE RANGE of outer DIAMETER of INLET CABLE
		D	E	ED	F	G	GA	DH	DRIVE END	OPPOSITE DRIVE END		
250M	6	(60) 65	140	125	18	(53) 58	(64) 69	M20X42	(6313C3) 6315C3	(6313C3) 6313C3	rubber sheath cable or M64X2 or NPT 2.5"	Ø24-Ø40
280S		(65) 75			(18) 20	(58) 67.5	(69) 79.5		(6314C3) 6318C3	(6314C3) 6316C3		
280M												
315S	7	(65) 80	(140) 170	(125) 160	(18) 22	(58) 71	(69) 85	M20X40	(6316C3) 6320C3	(6314C3) 6316C3	rubber sheath cable or M64x2 or M63X1.5 or NPT 2.5"	Ø38-Ø58
315M												

- Note :**
1. Tolerance of Shaft End Diameter D: m6.
 2. Tolerance of N : js6 .
 3. No . In () is for 2P.

OUTLINE DIMENSIONS SHEET

MODEL

TEBY

FLAMEPROOF MOTORS Ex d

V1 (IM 3011) FRAME NOS.315L ~ 355L

Totally Enclosed Fan - Cooled Type, Squirrel - Cage Rotor.

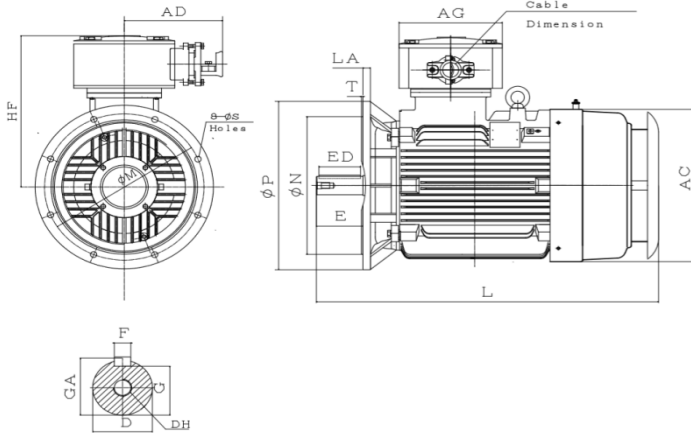


FIG.7

Dimensions in mm

Output (kW)					FRAME SIZE	FLANGE DIMENSION						AC	HF	AD	AG	L	
2P	4P	6P	8P	10P		LA	M	N	P	S	T						
160	160	110	90	75	315L	25	600	550	660			630	598			(1483)	
185	185	132	110	90												1513	
200	200	—	—	—													
220	220	160	132	110	355M				24	6			370	380		(1638)	
250	250	200	160	132												1668	
280	280	220	185	160	355L	30	740	680	800			750	670				(1688)
315	315	250	200	185													1718
355	355	280	220	200													

FRAME SIZE	FIG. NO.	SHAFT EXTENSION							BEARING		EXPORT WIRE SIZE of CABLE GLAND BODY	THE RANGE of outer DIAMETER of INLET CABLE
		D	E	ED	F	G	GA	DH	DRIVE END	OPPOSITE DRIVE END		
315L	7	(65) 80	(140) 170	(125) 160	(18) 22	(58) 71	(69) 85	M20X40	(6316C3) 6320C3	(6314C3) 6316C3	rubber sheath cable or M64x2 or M63X1.5 or NPT 2.5"	Ø38-Ø58
355M		(75) 95			(20) 25	(67.5) 86	(79.5) 100	(M20X40) M24X48	(6317C3) 6322C3	(6317C3) 6322C3		
355L												

- Note :**
1. Tolerance of Shaft End Diameter D: m6.
 2. Tolerance of N : js6 .
 3. No . In () is for 2P.