

東元全密型 **MAX-E1 IE3** 優級效率馬達

MODEL : AEHH8N

(NEMA Premium , Severe Duty)
HIGH EFFICIENCY MOTOR
LOW VOLTAGE SQUIRREL CAGE
FRAME SIZE : 143T ~ 449TS(X)



DWG NO.

31057D98601

REV. 08

		SPECIFICATION TABLE	MODEL AEHH8N
		3-PHASE INDUCTION MOTOR LOW VOLTAGE SQUIRREL CAGE	
ITEM		STANDARD SPECIFICATION	
R A T I N G	Kind of Motor	Squirrel Cage Induction Motor (SCIM)	
	Design Standards	NEMA MG-1, MG-13.	
	Voltage	230/460V , 460V, 575V.	
	Frequency	60Hz	
	Output Range	1HP ~ 400HP (for details see the OUTLINE DIMENSION SHEETS)	
	R.P.M. (Syn.)	3600 ~ 900 R.P.M.(2~8 Poles , for details see the OUTLINE DIMENSION SHEETS)	
	Time Duty	Continuous, S.F. 1.15 VFD : Continuous S.F. 1.0	
	Frame Size	143T ~ 449T(X) & TS(X) (for details see the OUTLINE DIMENSION SHEETS)	
	Protection Enclosure	F#143~405 : IP54 ,F#444~449 : IP55 .(Option IP66)	
	Cooling Method	Self External Fan, Surface Cooling (IC 411).	
Mounting	Horizontal Foot Mounting F-1 (IM 1001), However, F-1, F-2 are Changeable. Except 2P-350HP, 4P-350&400HP,6P-300HP		
A P P L I C A T I O N	Power Condition	Voltage : $\pm 10\%$, Frequency : $\pm 5\%$, AND $\pm 10\%$ of Combined Voltage and Frequency, But Frequency Variation does not Exceed $\pm 5\%$.	
	Environment Conditions	Place : Non-Hazardous. Ambient Temperature : $-15^{\circ}\text{C} \sim 40^{\circ}\text{C}$, Relative Humidity : Less Than 90%RH (Non - Condensation), Altitude : Less Than 3,300ft.	
	Drive Method	143T~405T For Belt Drive Application, However ,for 2-Pole 25HP and Larger (Ts Frame) Direct-Coupling Service Only 444T~449T(X) For Direct-Coupling Service	
	Direction of Rotation	Bi - Directional , 2P-350/400HP 449TS(X) would be Uni-directional only	
	Method of Starting	Full Voltage Direct On Line , For 7.5HP & Up $\lambda - \Delta$ Be Available.	
P E R F O R M A N C E	Test Procedure	IEEE-112 Method B and Full Voltage Measuring Starting Performance.	
	Temperature Rise	400T and below not to Exceed 90°C for S.F.1.15 or 80°C for S.F.1.0 440T not to Exceed 115°C for S.F.1.15 or 105°C for S.F.1.0 Measuring by Resistance Method.	
	Over Speed	125% Syn. R.P.M. for 2 Minutes. (2,4 Poles), 150% Syn. R.P.M. for 2 Minutes. (the others).	
	Over Torque	160% Rated Torque for 15 Sec.	
	VFD Capability (CSA VFD Certification)	Speed Range VT : 20 : 1, CT : 10 : 1 , F#143~405T Speed Range VT : 20 : 1, CT : 5 : 1 or 3 : 1 or 2 : 1 , F#444~449T(X)& TS(X) Ratings data refer to DR# 31057D98648	
O P T I O N	Environment Conditions	Place : Hazardous. Class I, Div.2, Group B, C & D, Temp. Code T3 min per CSA Certificate. Class II, Div. 2, Group F & G per CSA Certificate. Ratings data refer to DR# 31057D98648	

PERFORMANCE DATA

3-PHASE SQUIRREL CAGE
HIGH EFFICIENCY INDUCTION MOTOR

MODEL
AEHH8N



TEFC, NEMA T-FRAME, DESIGN - B,
CLASS F, 40°C AMBIENT, CONTINUOUS DUTY,
S.F. 1.15 460V 60Hz

C C 0 0 2 A

TYPICAL PERFORMANCE

(460 V)

HP	FULL LOAD RPM	FRAME SIZE	EFFICIENCY(%)				POWER FACTOR(%)			CURRENT			TORQUE				ROTOR WK ² lb-ft ²	NEMA CODE LETTER
			FULL LOAD		3/4 LOAD	1/2 LOAD	FULL LOAD	3/4 LOAD	1/2 LOAD	FULL LOAD	208V USABLE	LOCKED ROTOR	FULL LOAD	LOCKED ROTOR	PULL UP	BREAK DOWN		
			NOM.	MIN.	NOM.	NOM.				(A)	ON-A	(A)	lb-ft	%FLT	%FLT	%FLT		
60	3550	364TS	94.1	93.0	94.5	94.1	93.0	92.0	88.5	64.2	142	435	88.74	145	130	240	7.379	G
	1775	364T	95.0	94.1	95.0	94.5	86.5	83.0	75.5	68.4	151	435	177.5	200	155	240	12.23	G
	1180	404T	94.5	93.6	94.5	94.1	87.0	86.5	80.5	68.3	151	435	267.0	200	185	245	33.54	G
	885	405T	93.0	91.7	93.6	93.6	81.0	78.0	68.0	74.6	165	435	356.0	200	180	230	32.55	G
75	3555	365TS	94.5	93.6	95.0	95.0	93.0	92.5	89.0	79.9	177	543	110.8	145	130	250	9.056	G
	1775	365T	95.4	94.5	95.4	95.0	86.5	83.5	75.5	85.1	188	543	221.9	200	165	250	14.67	G
	1180	405T	94.5	93.6	94.5	94.5	86.5	84.5	79.0	85.9	190	543	333.7	200	175	225	37.86	G
	885	444T	93.6	92.4	93.0	91.7	79.0	76.0	67.0	95.0	210	543	445.0	130	110	210	55.10	G
100	3560	405TS	95.4	94.5	95.8	95.4	92.0	91.5	88.5	107	236	725	147.5	140	125	270	10.77	G
	1775	405T	95.4	94.5	95.4	95.0	87.5	85.5	80.0	112	248	725	295.8	215	140	215	26.64	G
	1181	444T	95.0	94.1	94.5	93.6	82.5	80.0	73.0	119	264	725	444.6	140	110	230	56.00	G
	885	445T	93.6	92.4	93.0	91.7	79.0	76.5	68.0	127	280	725	593.3	130	110	210	72.80	G
125	3563	444TS	95.0	94.1	94.5	93.6	86.0	83.5	80.0	143	317	910	184.2	110	88	220	16.60	G
	1780	444T	95.4	94.5	95.0	94.1	85.0	83.0	77.0	144	319	910	368.7	130	100	220	44.30	G
	1182	445T	95.0	94.1	94.5	93.6	83.0	80.5	74.0	148	328	910	555.3	140	110	230	68.00	G
	888	447T	94.1	93.0	93.6	92.1	80.0	77.0	69.0	155	344	910	739.1	120	100	200	141.0	G
150	3566	445TS	95.0	94.1	94.5	93.6	87.0	84.5	81.0	170	---	1085	220.9	110	88	220	20.00	G
	1783	445T	95.8	95.0	95.4	94.5	85.0	83.0	78.0	172	---	1085	441.7	130	100	220	52.00	G
	1185	447T	95.8	95.0	95.4	94.5	83.5	81.0	74.0	176	---	1085	664.6	135	105	220	103.0	G
	888	449T	94.1	93.0	93.6	92.1	80.0	77.0	69.0	187	---	1085	886.9	120	100	200	166.0	G
200	3572	447TS	95.4	94.5	95.0	94.1	89.0	85.0	81.0	221	---	1450	294.0	104	83	210	32.00	G
	1785	447T	96.2	95.4	95.8	95.0	87.0	83.5	78.5	224	---	1450	588.3	120	95	210	73.50	G
	1186	449T	95.8	95.0	95.4	94.5	84.0	81.0	74.0	233	---	1450	885.4	135	105	210	125.0	G
	888	449T	94.5	93.5	94.1	93.0	80.0	77.0	69.0	248	---	1450	1183	120	100	200	221.0	G
250	3575	449TS	95.8	95.0	95.4	94.5	89.8	86.0	82.0	272	---	1825	367.2	103	83	210	44.00	G
	1787	449T	96.2	95.4	95.8	95.0	88.0	84.5	80.0	277	---	1825	734.5	110	90	210	83.00	G
	1188	449T	95.8	95.0	95.4	94.5	84.5	82.0	74.5	289	---	1825	1105	110	90	210	140.0	G
300	3580	449TS	95.8	95.0	95.4	94.5	90.2	86.5	82.5	325	---	2200	440.0	102	81	210	52.50	G
	1788	449T	96.2	95.4	95.8	95.0	88.0	84.5	80.0	332	---	2200	881.0	100	85	210	107.0	G
	1188	449T(X)	95.8	95.0	95.4	94.5	84.5	81.0	73.0	347	---	2200	1326	150	120	250	199.0	G
350	3579	449TS(X)	95.8	95.0	96.4	95.7	91.0	91.0	88.0	372	---	2350	513.5	120	100	300	57.40	G
	1789	449T(X)	96.2	96.2	96.2	95.7	89.0	86.5	80.0	384	---	2450	1027	150	130	350	126.0	G
400	3576	449TS(X)	95.8	95.0	96.0	95.5	88.5	87.5	83.0	438	---	2600	587.3	160	130	300	69.77	G
	1788	449T(X)	96.2	95.4	96.4	96.1	88.9	86.8	80.9	437	---	2900	1175	140	120	350	146.3	G

- NOTE :
1. The above are typical values based on test according to ANSI/IEEE standard 112 method B.
 2. Breakdown & locked rotor torques are shown as average expected values.
 3. Efficiency, power factor, speed and torque are the same for other voltages.
Current values vary inversely with voltage.
 4. Tolerance according to NEMA MG1-12 & IEC 60034-1.
 5. Data subject to change without notice.

PERFORMANCE DATA

MODEL

AEHH8N

3-PHASE SQUIRREL CAGE
HIGH EFFICIENCY INDUCTION MOTOR



CC002A

TEFC, NEMA T-FRAME, DESIGN - B,
CLASS F, 40°C AMBIENT, CONTINUOUS DUTY,
S.F. 1.15 460V 60Hz

APPROX. WEIGHT

(460 V)

HP	FULL LOAD RPM	AEHH8N	
		FRAME SIZE	LBS
1	3465	143T	47
	1745	143T	52
	1150	145T	57
	860	182T	92
1.5	3465	143T	49
	1730	145T	61
	1170	182T	85
	860	184T	94
2	3465	145T	57
	1740	145T	59
	1170	184T	94
	865	213T	140
3	3490	182T	92
	1755	182T	96
	1175	213T	140
	865	215T	190
5	3480	184T	100
	1745	184T	110
	1170	215T	190
	870	254T	255
7.5	3510	213T	160
	1760	213T	165
	1170	254T	255
	875	256T	290
10	3510	215T	188
	1765	215T	194
	1170	256T	290
	885	284T	398
15	3525	254T	255
	1765	254T	288
	1175	284T	398
	875	286T	455
20	3520	256T	317
	1760	256T	345
	1170	286T	455
	875	324T(X)	559
25	3545	284TS	424
	1765	284T	460
	1170	324T(X)	559
	875	326T(X)	579
30	3545	286TS	435
	1770	286T	501
	1175	326T(X)	579
	885	364T	894
40	3535	324TS(X)	576
	1770	324T(X)	539
	1180	364T	894
	885	365T	918
50	3540	326TS(X)	648
	1770	326T(X)	601
	1180	365T	918
	885	404T	1261

PERFORMANCE DATA

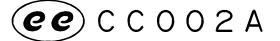
3-PHASE SQUIRREL CAGE
HIGH EFFICIENCY INDUCTION MOTOR

MODEL

AEHH8N



TEFC, NEMA T-FRAME, DESIGN - B,
CLASS F, 40°C AMBIENT, CONTINUOUS DUTY,
S.F. 1.15 460V 60Hz



APPROX. WEIGHT

(460 V)

HP	FULL LOAD RPM	AEHH8N	
		FRAME SIZE	LBS
60	3550	364TS	782
	1775	364T	800
	1180	404T	1261
	885	405T	1356
75	3555	365TS	841
	1775	365T	936
	1180	405T	1356
	885	444T	1467
100	3560	405TS	1233
	1775	405T	1301
	1181	444T	1575
	885	445T	1718
125	3563	444TS	1498
	1780	444T	1619
	1182	445T	1795
	888	447T	2026
150	3566	445TS	1588
	1783	445T	1703
	1185	447T	2059
	888	449T	2281
200	3572	447TS	1916
	1785	447T	2004
	1186	449T	2272
	888	449T	2598
250	3575	449TS	2132
	1787	449T	2312
	1188	449T	2466
300	3580	449TS	2312
	1788	449T	2532
	1188	449T(X)	3130
350	3583	449TS(X)	3000
	1788	449T(X)	3186
400	3576	449TS(X)	3045
	1788	449T(X)	3342

- NOTE :
1. The above are typical values based on test according to ANSI/IEEE standard 112 method B.
 2. Breakdown & locked rotor torques are shown as average expected values.
 3. Efficiency, power factor, speed and torque are the same for other voltages.
Current values vary inversely with voltage.
 4. Tolerance according to NEMA MG1-12 & IEC 60034-1.
 5. Data subject to change without notice.

Detail Electrical Ratings DATA

MODEL
AEHH8N

3-PHASE SQUIRREL CAGE HIGH EFFICIENCY INDUCTION MOTORS

Class I, Div. 2, Groups B, C and D; Temperature Coded T3, T3B, T3C

Class II, Div. 2, Groups F and G; Zone 22, Groups IIIA, and IIIB

Types AEHH-XX horizontal mounting with or without C, D or P Flange,

Frames Sizes 143 to 449 max, 2, 4, 6 and 8 pole rated 600V max, 400 hp max;

Class F, TEFC; Ambient Temperature 40°C; 60 Hz @ 1.15 S.F. or 50 Hz @ 1.0 S.F. ,Continuous or Inverter duty @ 1.0 S.F.

8N: Standard seals with standard paint; SY: Construction same as 8N but with keyless shaft extension

TYPE	POLES	HP	FRAME	SYN. SPEED	Variable Torque RPM (20:1)	Const. Torque RPM (10:1) or (5:1) or (3:1) or (2:1)	Const. HP RPM (max.)	TEMP. Code (Sine S.F. 1.15 / VFD 1.0)
AEHH	2	1	143T	3600	175 - 3600	355 - 3600	3600 - 7200	T3C / T3C
AEHH	2	1.5	143T	3600	175 - 3600	355 - 3600	3600 - 7200	T3C / T3C
AEHH	2	2	145T	3600	175 - 3600	355 - 3600	3600 - 7200	T3C / T3C
AEHH	2	3	182T	3600	175 - 3600	355 - 3600	3600 - 7200	T3C / T3C
AEHH	2	5	184T	3600	175 - 3600	355 - 3600	3600 - 7200	T3C / T3C
AEHH	2	7.5	213T	3600	175 - 3600	355 - 3600	3600 - 5400	T3B / T3B
AEHH	2	10	215T	3600	175 - 3600	355 - 3600	3600 - 5400	T3B / T3B
AEHH	2	15	254T	3600	175 - 3600	355 - 3600	3600 - 5400	T3B / T3B
AEHH	2	20	256T	3600	175 - 3600	355 - 3600	3600 - 5400	T3B / T3B
AEHH	2	25	284TS	3600	175 - 3600	355 - 3600	3600 - 5400	T3B / T3B
AEHH	2	30	286TS	3600	175 - 3600	355 - 3600	3600 - 5400	T3B / T3B
AEHH	2	40	324TS(X)	3600	175 - 3600	355 - 3600	3600 - 4500	T3 / T3
AEHH	2	50	326TS(X)	3600	175 - 3600	355 - 3600	3600 - 4500	T3 / T3
AEHH	2	60	364TS	3600	175 - 3600	355 - 3600	3600	T3 / T3
AEHH	2	75	365TS	3600	175 - 3600	355 - 3600	3600	T3 / T3
AEHH	2	100	405TS	3600	175 - 3600	355 - 3600	3600	T3 / T3
AEHH	2	125	444TS	3600	175 - 3600	720 - 3600	3600	T3 / T3
AEHH	2	150	445TS	3600	175 - 3600	720 - 3600	3600	T3 / T3
AEHH	2	200	447TS	3600	175 - 3600	720 - 3600	3600	T3 / T3
AEHH	2	250	449TS	3600	175 - 3600	1200 - 3600	3600	T3 / T3
AEHH	2	300	449TS	3600	175 - 3600	1200 - 3600	3600	T3 / T3
AEHH	2	350	449TS(X)	3600	175 - 3600	1200 - 3600	3600	T3 / T2C
AEHH	2	400	449TS(X)	3600	175 - 3600	1200 - 3600	3600	T3 / T2C
AEHH	4	1	143T	1800	88 - 1800	178 - 1800	1800 - 3600	T3C / T3C
AEHH	4	1.5	145T	1800	88 - 1800	178 - 1800	1800 - 3600	T3C / T3C
AEHH	4	2	145T	1800	88 - 1800	178 - 1800	1800 - 3600	T3C / T3C
AEHH	4	3	182T	1800	88 - 1800	178 - 1800	1800 - 3600	T3C / T3C
AEHH	4	5	184T	1800	88 - 1800	178 - 1800	1800 - 3600	T3C / T3C
AEHH	4	7.5	213T	1800	88 - 1800	178 - 1800	1800 - 3600	T3B / T3B
AEHH	4	10	215T	1800	88 - 1800	178 - 1800	1800 - 3600	T3B / T3B
AEHH	4	15	254T	1800	88 - 1800	178 - 1800	1800 - 3600	T3B / T3B
AEHH	4	20	256T	1800	88 - 1800	178 - 1800	1800 - 3600	T3B / T3B
AEHH	4	25	284T	1800	88 - 1800	178 - 1800	1800 - 2700	T3B / T3B
AEHH	4	30	286T	1800	88 - 1800	178 - 1800	1800 - 2700	T3B / T3B
AEHH	4	40	324T(X)	1800	88 - 1800	178 - 1800	1800 - 2700	T3 / T3
AEHH	4	50	326T(X)	1800	88 - 1800	178 - 1800	1800 - 2700	T3 / T3
AEHH	4	60	364T	1800	88 - 1800	178 - 1800	1800 - 2700	T3 / T3
AEHH	4	75	365T	1800	88 - 1800	178 - 1800	1800 - 2700	T3 / T3
AEHH	4	100	405T	1800	88 - 1800	178 - 1800	1800 - 2700	T3 / T3
AEHH	4	125	444T	1800	88 - 1800	360 - 1800	1800 - 2700	T3 / T3
AEHH	4	150	445T	1800	88 - 1800	360 - 1800	1800 - 2700	T3 / T3
AEHH	4	200	447T	1800	88 - 1800	360 - 1800	1800 - 2250	T3 / T3
AEHH	4	250	449T	1800	88 - 1800	600 - 1800	1800 - 2250	T3 / T3
AEHH	4	300	449T	1800	88 - 1800	600 - 1800	1800 - 2250	T3 / T3
AEHH	4	350	449T(X)	1800	88 - 1800	600 - 1800	1800 - 2250	T3 / T2C
AEHH	4	400	449T(X)	1800	88 - 1800	600 - 1800	1800 - 2250	T3 / T2C
AEHH	6	1	145T	1200	58 - 1200	118 - 1200	1200 - 2400	T3C / T3C
AEHH	6	1.5	182T	1200	58 - 1200	118 - 1200	1200 - 2400	T3C / T3C
AEHH	6	2	184T	1200	58 - 1200	118 - 1200	1200 - 2400	T3C / T3C
AEHH	6	3	213T	1200	58 - 1200	118 - 1200	1200 - 2400	T3C / T3C
AEHH	6	5	215T	1200	58 - 1200	118 - 1200	1200 - 2400	T4 / T4
AEHH	6	7.5	254T	1200	58 - 1200	118 - 1200	1200 - 2400	T3B / T3B
AEHH	6	10	256T	1200	58 - 1200	118 - 1200	1200 - 2400	T3B / T3B
AEHH	6	15	284T	1200	58 - 1200	118 - 1200	1200 - 2400	T3B / T3B
AEHH	6	20	286T	1200	58 - 1200	118 - 1200	1200 - 2400	T3B / T3B
AEHH	6	25	324T(X)	1200	58 - 1200	118 - 1200	1200 - 2400	T3 / T3
AEHH	6	30	326T(X)	1200	58 - 1200	118 - 1200	1200 - 2400	T3 / T3
AEHH	6	40	364T	1200	58 - 1200	118 - 1200	1200 - 2400	T3B / T3B
AEHH	6	50	365T	1200	58 - 1200	118 - 1200	1200 - 2400	T3 / T3
AEHH	6	60	404T	1200	58 - 1200	118 - 1200	1200 - 2400	T3 / T3
AEHH	6	75	405T	1200	58 - 1200	118 - 1200	1200 - 2400	T3 / T3

Detail Electrical Ratings DATA

MODEL

AEHH8N

3-PHASE SQUIRREL CAGE
HIGH EFFICIENCY INDUCTION MOTORS

Class I, Div. 2, Groups B, C and D; Temperature Coded T3, T3B, T3C

Class II, Div. 2, Groups F and G; Zone 22, Groups IIIA, and IIIB

Types AEHH-XX horizontal mounting with or without C, D or P Flange,

Frames Sizes 143 to 449 max, 2, 4, 6 and 8 pole rated 600V max, 400 hp max;

Class F, TEFC; Ambient Temperature 40°C; 60 Hz @ 1.15 S.F. or 50 Hz @ 1.0 S.F. ,Continuous or Inverter duty @ 1.0 S.F.

8N: Standard seals with standard paint; SY: Construction same as 8N but with keyless shaft extension

TYPE	POLES	HP	FRAME	SYN. SPEED	Variable Torque RPM (20:1)	Const. Torque RPM (10:1) or (5:1) or (3:1) or (2:1)	Const. HP RPM (max.)	TEMP. Code (Sine S.F. 1.15 / VFD 1.0)
AEHH	6	100	444T	1200	58 - 1200	118 - 1200	1200 - 1800	T3 / T3
AEHH	6	125	445T	1200	58 - 1200	240 - 1200	1200 - 1800	T3 / T3
AEHH	6	150	447T	1200	58 - 1200	240 - 1200	1200 - 1800	T3 / T3
AEHH	6	200	449T	1200	58 - 1200	400 - 1200	1200 - 1800	T3 / T3
AEHH	6	250	449T	1200	58 - 1200	400 - 1200	1200 - 1800	T3 / T3
AEHH	6	300	449T(X)	1200	58 - 1200	400 - 1200	1200 - 1800	T3 / T2C
AEHH	8	1	182T	900	43 - 900	88 - 900	900 - 1350	T3A / T3A
AEHH	8	1.5	184T	900	43 - 900	88 - 900	900 - 1350	T3A / T3A
AEHH	8	2	213T	900	43 - 900	88 - 900	900 - 1350	T3A / T3A
AEHH	8	3	215T	900	43 - 900	88 - 900	900 - 1350	T3A / T3A
AEHH	8	5	254T	900	43 - 900	88 - 900	900 - 1350	T3A / T3A
AEHH	8	7.5	256T	900	43 - 900	88 - 900	900 - 1350	T3A / T3A
AEHH	8	10	284T	900	43 - 900	88 - 900	900 - 1350	T3A / T3A
AEHH	8	15	286T	900	43 - 900	88 - 900	900 - 1350	T3A / T3A
AEHH	8	20	324T(X)	900	43 - 900	88 - 900	900 - 1350	T3 / T3
AEHH	8	25	326T(X)	900	43 - 900	88 - 900	900 - 1350	T3 / T3
AEHH	8	30	364T	900	43 - 900	88 - 900	900 - 1350	T3A / T3A
AEHH	8	40	365T	900	43 - 900	88 - 900	900 - 1350	T3A / T3A
AEHH	8	50	404T	900	43 - 900	88 - 900	900 - 1350	T3A / T3A
AEHH	8	60	405T	900	43 - 900	88 - 900	900 - 1350	T3A / T3A
AEHH	8	75	444T	900	43 - 900	88 - 900	900 - 1350	T3A / T3A
AEHH	8	100	445T	900	43 - 900	300 - 900	900 - 1350	T3 / T3
AEHH	8	125	447T	900	43 - 900	300 - 900	900 - 1350	T3 / T3
AEHH	8	150	449T	900	43 - 900	450 - 900	900 - 1350	T3 / T3
AEHH	8	200	449T	900	43 - 900	450 - 900	900 - 1350	T3 / T3

CSA TEMPERATURE CODE

Temperature code	Maximum external surface temperature, °C
T2A	280
T2B	260
T2C	230
T2D	215
T3	200
T3A	180
T3B	165
T3C	160
T4	135
T4A	120
T5	100
T6	85

- NOTE :
- (a) Suffix numbers and or letter representing mechanical construction.
 - (b) Current at 208V is also marked if the motor is rated with 208V on the nameplate in addition to other voltages.
 - (c) Motors may be provided with optional space heaters rated 115/230 VAC max having a total watt dissipation of 100 Watts max.
 - (d) Inverter Duty Ratings: VT: 20:1; CT: 10:1 or 3:1 (where applicable); CHP: See Table above
 - (e) Motors installed at higher altitude of 1000 m to 4000 m, they will be de-rated according to CSA Std. 100-14, Table 4, Note 5, as Follows: "For machines that operate under the prevailing barometric pressure and that are designed not to exceed the specified temperatures at altitudes from 1000 to 4000 m, the temperatures, as checked at altitudes below 1000 m, shall be less than those listed in this Table by 1% for each 100 m of altitude in excess of 1000 m"

OUTLINE DIMENSION SHEET

MODEL

AEHH8N

3-PHASE INDUCTION MOTOR
FRAME SIZE 143T~215T

Totally Enclosed Fan - Cooled Type, Squirrel - Cage Rotor

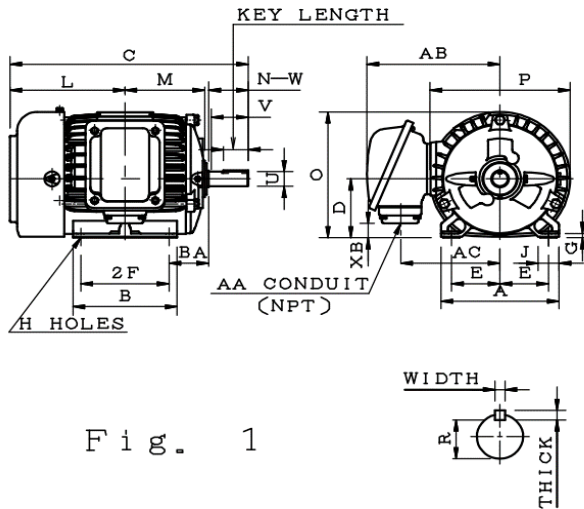


Fig. 1

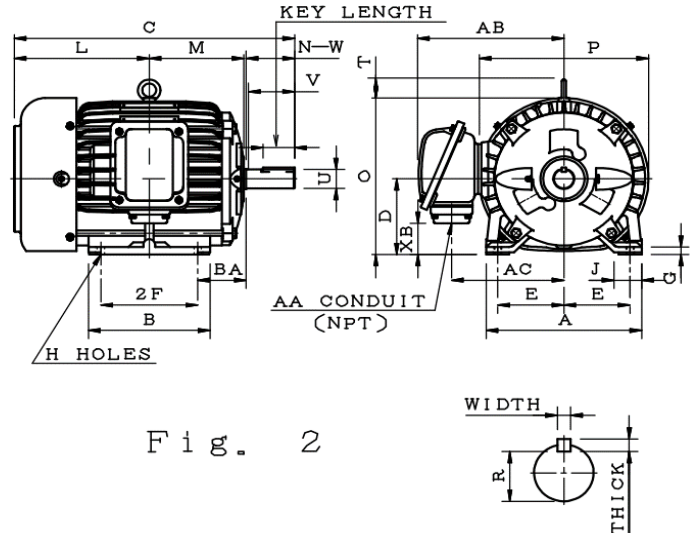


Fig. 2

Dimension in inches

Output (HP)				FRAME SIZE	FIG. NO.	Mounting				A	B	C	D	G	J	L	M	O
2P	4P	6P	8P			E	2F	H	BA									
1	1	—	—	143T	1	2.75	4.00	0.34	2.25	6.70	5.10	12.56	3.50	0.25	1.18	6.06	4.03	7.53
1.5	1.5	—	—	145T		2.75	5.00	0.34	2.25	6.70	5.90	13.54	3.50	0.25	1.18	6.54	4.53	7.53
2	2	1	—	182T	2	3.75	4.50	0.43	2.75	8.80	5.90	14.89	4.50	0.44	1.57	7.14	4.87	9.30
3	3	1.5	1	184T		3.75	5.50	0.43	2.75	8.80	6.90	15.91	4.50	0.44	1.57	7.66	5.37	9.30
5	5	2	1.5	213T		4.25	5.50	0.43	3.50	9.85	6.90	18.26	5.25	0.49	1.65	8.63	6.06	10.80
7.5	7.5	3	2	215T		4.25	7.00	0.43	3.50	9.85	8.35	19.76	5.25	0.49	1.65	9.38	6.81	10.80

FRAME SIZE	P	T	Key			Keyseat	Shaft Extension			Terminal Housing				Bearings	
			WIDTH	THICK	LENGTH	R	N-W	U	V	AA	AB	AC	XB	DRIVE END	OPPOSITE DRIVE END
143T	8.05	—	0.188	0.188	1.41	0.771	2.25	0.875	2.20	3/4	7.56	5.63	0.86	6205ZZ	6205ZZ
145T	8.05	—	0.188	0.188	1.41	0.771	2.25	0.875	2.20	3/4	7.56	5.63	0.86	6205ZZ	6205ZZ
182T	9.61	1.19	0.250	0.250	1.78	0.986	2.75	1.125	2.70	3/4	8.31	6.38	1.86	6306ZZ	6306ZZ
184T	9.61	1.19	0.250	0.250	1.78	0.986	2.75	1.125	2.70	3/4	8.31	6.38	1.86	6306ZZ	6306ZZ
213T	11.10	1.46	0.312	0.312	2.41	1.201	3.38	1.375	3.30	1	9.78	7.34	2.34	6308ZZ	6306ZZ
215T	11.10	1.46	0.312	0.312	2.41	1.201	3.38	1.375	3.30	1	9.78	7.34	2.34	6308ZZ	6306ZZ

- Note :**
1. Dimension D tolerance : +0.00 inches, -0.03 inch.
 2. Dimension U tolerance : +0.000 incjes, -0.0005 inches.
 3. Dimension R tolerance : +0.000 inches, -0.015 inches.
 4. Dimension V is length of straight part of shaft.

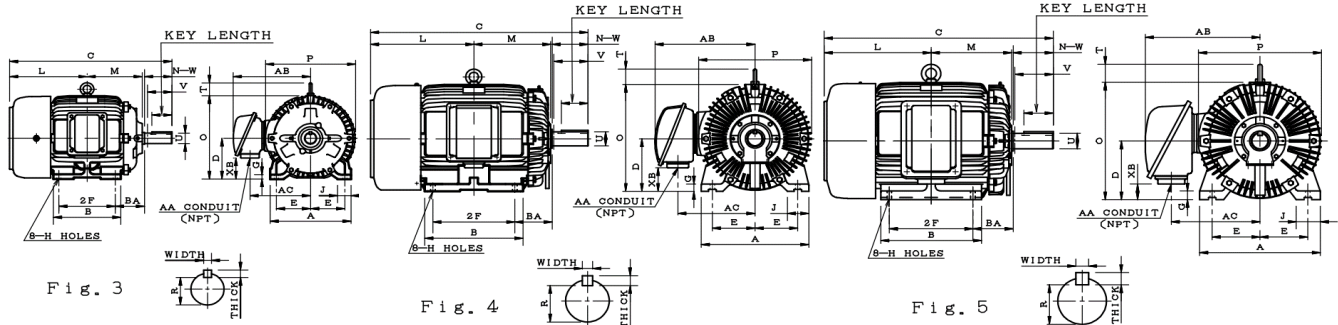
OUTLINE DIMENSION SHEET

MODEL

AEHH8N

3-PHASE INDUCTION MOTOR
FRAME SIZE 254T~405TS

Totally Enclosed Fan - Cooled Type, Squirrel - Cage Rotor



Dimension in inches

Output (HP)				FRAME SIZE	FIG. NO.	Mounting				A	B	C	D	G	J	L	M	O
2P	4P	6P	8P			E	2F	H	BA									
15	15	7.5	5	254T	3	5.00	8.25	0.53	4.25	11.80	9.85	23.78	6.25	0.65	1.95	11.41	8.06	12.83
20	20	10	7.5	256T		5.00	10.00	0.53	4.25	11.80	11.80	25.52	6.25	0.65	1.95	12.27	8.94	12.83
—	25	15	10	284T	4	5.50	9.50	0.53	4.75	14.00	11.70	26.80	7.00	0.78	2.95	12.68	9.23	14.52
25	—	—	—	284TS		5.50	9.50	0.53	4.75	14.00	11.70	25.43	7.00	0.78	2.95	12.68	9.31	14.52
—	30	20	15	286T	3	5.50	11.00	0.53	4.75	14.00	13.20	28.30	7.00	0.78	2.95	13.43	9.98	14.52
30	—	—	—	286TS		5.50	11.00	0.53	4.75	14.00	13.20	26.93	7.00	0.78	2.95	13.43	10.06	14.52
—	40	25	20	324T(X)	4	6.25	10.50	0.67	5.25	15.75	12.87	29.49	8.00	1.10	3.15	13.74	10.22	16.35
40	—	—	—	324TS(X)		6.25	10.50	0.67	5.25	15.75	14.37	29.49	8.00	1.10	3.15	14.49	10.96	16.35
—	50	30	25	326T(X)		6.25	12.00	0.67	5.25	15.75	14.37	30.99	8.00	1.10	3.15	14.49	10.96	16.35
50	—	—	—	326TS(X)		6.25	12.00	0.67	5.25	15.75	16.34	31.45	8.00	1.10	3.15	15.47	11.95	16.35
—	60	40	30	364T	5	7.00	11.25	0.67	5.88	17.70	13.75	32.57	9.00	1.30	3.55	15.19	11.29	18.02
60	—	—	—	364TS		7.00	11.25	0.67	5.88	17.70	13.75	30.44	9.00	1.30	3.55	15.19	11.29	18.02
—	75	50	40	365T		7.00	12.25	0.67	5.88	17.70	14.75	33.55	9.00	1.30	3.55	15.67	11.79	18.02
75	—	—	—	365TS		7.00	12.25	0.67	5.88	17.70	14.75	31.42	9.00	1.30	3.55	15.67	11.79	18.02
—	—	60	50	404T		8.00	12.25	0.81	6.62	19.70	15.15	36.49	10.0	1.55	3.95	16.49	12.52	20.04
100	—	—	—	405T		8.00	13.75	0.81	6.62	19.70	16.75	37.99	10.0	1.55	3.95	17.24	13.27	20.04
100	—	—	—	405TS	8.00	13.75	0.81	6.62	19.70	16.75	34.99	10.0	1.55	3.95	17.24	13.27	20.04	

FRAME SIZE	P	T	Key			Keyseat	Shaft Extension			Terminal Housing				Bearings	
			WIDTH	THICK	LENGTH	R	N-W	U	V	AA	AB	AC	XB	DRIVE END	OPPOSITE DRIVE END
254T	13.15	2.01	0.375	0.375	2.91	1.416	4.00	1.625	3.90	1 1/4	11.30	8.86	3.22	6309ZZ	6307ZZ
256T	13.15	2.01	0.375	0.375	2.91	1.416	4.00	1.625	3.90	1 1/4	11.30	8.86	3.22	6309ZZ	6307ZZ
284T	15.04	2.36	0.500	0.500	3.28	1.591	4.62	1.875	4.50	1 1/2	13.86	10.51	3.54	6311ZZ	6310ZZ
284TS	15.04	2.36	0.375	0.375	1.93	1.416	3.25	1.625	3.20	1 1/2	13.86	10.51	3.54	6211C3	6211C3
286T	15.04	2.36	0.500	0.500	3.28	1.591	4.62	1.875	4.50	1 1/2	13.86	10.51	3.54	6311ZZ	6310ZZ
286TS	15.04	2.36	0.375	0.375	1.93	1.416	3.25	1.625	3.20	1 1/2	13.86	10.51	3.54	6211C3	6211C3
324T(X)	15.91	2.36	0.500	0.500	3.91	1.845	5.25	2.125	5.15	2	16.10	12.20	3.59	6312	6310
324TS(X)	15.91	2.36	0.500	0.500	2.03	1.591	3.75	1.875	3.65	2	16.10	12.20	3.59	6312C3	6310C3
326T(X)	15.91	2.36	0.500	0.500	3.91	2.201	5.25	2.125	5.15	2	16.10	12.20	3.59	6312	6310
326TS(X)	15.91	2.36	0.500	0.500	2.03	1.591	3.75	1.875	3.65	2	16.10	12.20	3.59	6312C3	6310C3
364T	18.03	2.76	0.625	0.625	4.28	2.021	5.88	2.375	5.75	3	18.50	13.78	2.39	6313	6213
364TS	18.03	2.76	0.500	0.500	2.03	1.591	3.75	1.875	3.65	3	18.50	13.78	2.39	6312C3	6212C3
365T	18.03	2.76	0.625	0.625	4.28	2.021	5.88	2.375	5.75	3	18.50	13.78	2.39	6313	6213
365TS	18.03	2.76	0.500	0.500	2.03	1.591	3.75	1.875	3.65	3	18.50	13.78	2.39	6312C3	6212C3
404T	20.08	3.54	0.750	0.750	5.65	2.450	7.25	2.875	7.15	3	21.85	15.75	1.42	6317	6313
405T	20.08	3.54	0.750	0.750	5.65	2.450	7.25	2.875	7.15	3	21.85	15.75	1.42	6317	6313
405TS	20.08	3.54	0.500	0.500	2.78	1.845	4.25	2.125	4.15	3	21.85	15.75	1.42	6313C3	6313C3

- Note :**
1. Dimension D tolerance : +0.00 inch, -0.03 inch.
 2. Dimension U tolerance : +0.000 inch, -0.001 inch.
 3. Dimension R tolerance : +0.000 inch, -0.015 inch.
 4. Dimension V is length of straight part of shaft.

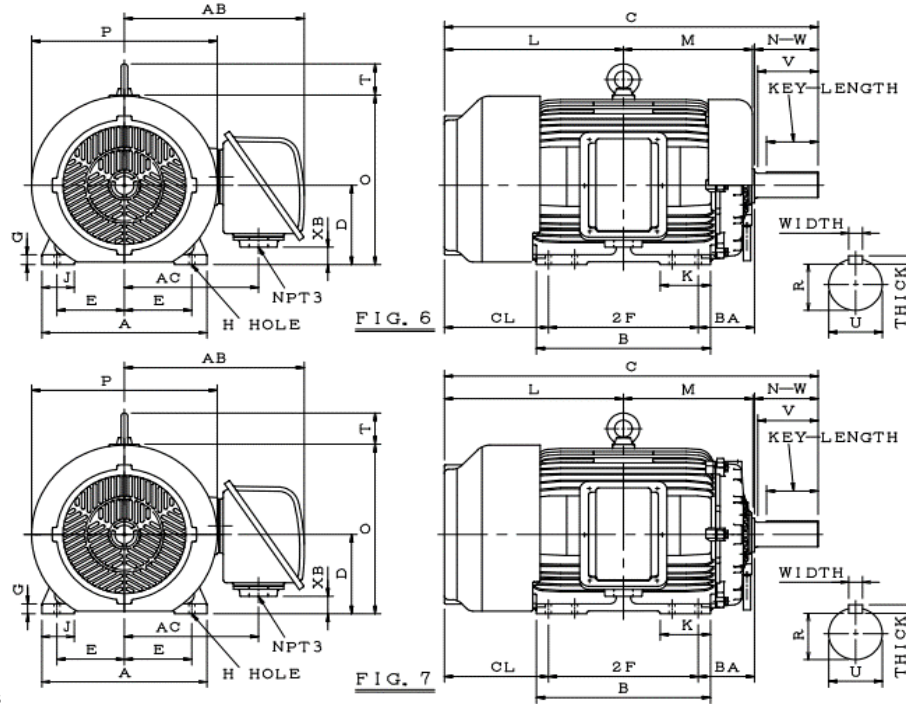
OUTLINE DIMENSION SHEET

MODEL

AEHH8N

3-PHASE INDUCTION MOTOR
FRAME SIZE 444~445T & TS

Totally Enclosed Fan - Cooled Type, Squirrel - Cage Rotor



Dimension in inches

Output (HP)				FRAME SIZE	FIG. NO.	Mounting				A	B	C	CL	D	G	J	K
2P	4P	6P	8P			E	2F	H	BA								
—	125	100	75	444T	7	9.00	14.5	0.81	7.50	22.05	17.50	44.40	13.90	11.00	1.40	4.35	4.35
125	—	—	—	444TS	6	9.00	14.5	0.81	7.50	22.05	17.50	40.65	13.90	11.00	1.40	4.35	4.35
—	150	125	100	445T	7	9.00	16.5	0.81	7.50	22.05	17.50	46.40	13.90	11.00	1.40	4.35	5.10
150	—	—	—	445TS	6	9.00	16.5	0.81	7.50	22.05	17.50	42.65	13.90	11.00	1.40	4.35	5.10

FRAME SIZE	L	M	O	P	T	Key			Keyseat R	Shaft Extension			Terminal Housing			Bearings	
						WIDTH	THICK	LENGTH		N-W	U	V	AB	AC	XB	DRIVE END	OPPOSITE DRIVE END
444T	21.15	14.40	23.52	24.76	4.33	0.875	0.875	6.91	2.880	8.50	3.375	8.00	24.02	17.91	2.40	6318	6316
444TS	21.15	14.47	23.52	24.76	4.33	0.625	0.625	3.03	2.021	4.75	2.375	4.50	24.02	17.91	2.40	6314C3	6314C3
445T	22.15	15.40	23.52	24.76	4.33	0.875	0.875	6.91	2.880	8.50	3.375	8.00	24.02	17.91	2.40	6318	6316
445TS	22.15	15.47	23.52	24.76	4.33	0.625	0.625	3.03	2.021	4.75	2.375	4.50	24.02	17.91	2.40	6314C3	6314C3

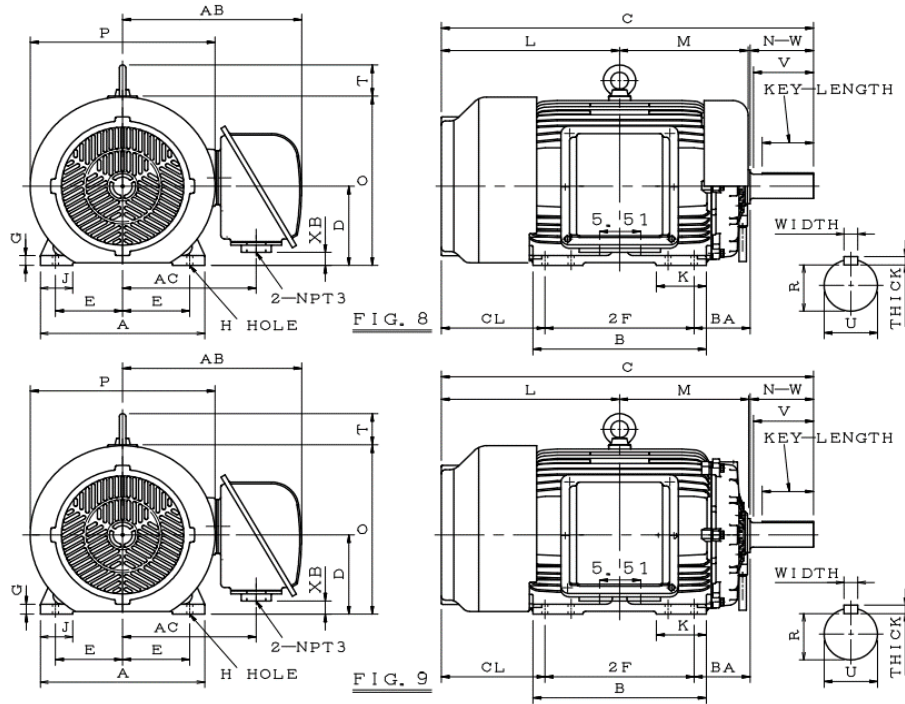
- Note :**
1. Dimension D tolerance : +0.00 inches, -0.06 inch.
 2. Dimension U tolerance : +0.000 incjes, -0.001 inches.
 3. Dimension R tolerance : +0.000 inches, -0.015 inches.
 4. Dimension V is the length of straight part of shaft.
 5. For Direct Flexible Coupling.

OUTLINE DIMENSION SHEET

MODEL
AEHH8N

3-PHASE INDUCTION MOTOR
FRAME SIZE 447~449T & TS

Totally Enclosed Fan - Cooled Type, Squirrel - Cage Rotor



Dimension in inches

Output (HP)				FRAME SIZE	FIG. NO.	Mounting				A	B	C	CL	D	G	J	K
2P	4P	6P	8P			E	2F	H	BA								
—	200	150	125	447T	9	9.00	20.00	0.81	7.50	22.05	23.25	49.90	13.90	11.00	1.40	4.35	6.70
200	—	—	—	447TS	8	9.00	20.00	0.81	7.50	22.05	23.25	46.15	13.90	11.00	1.40	4.35	6.70
—	250	200	150	449T	9	9.00	25.00	0.81	7.50	22.05	27.95	54.90	13.90	11.00	1.40	4.35	8.25
250	—	—	—	449TS	8	9.00	25.00	0.81	7.50	22.05	27.95	51.15	13.90	11.00	1.40	4.35	8.25

FRAME SIZE	L	M	O	P	T	Key			Keyseat R	Shaft Extension			Terminal Housing			Bearings	
						WIDTH	THICK	LENGTH		N-W	U	V	AB	AC	XB	DRIVE END	OPPOSITE DRIVE END
447T	23.9	17.15	23.52	24.76	4.33	0.875	0.875	6.93	2.880	8.50	3.375	8.00	24.02	17.91	1.83	6320	6316
447TS	23.9	17.22	23.52	24.76	4.33	0.625	0.625	3.03	2.021	4.75	2.375	4.50	24.02	17.91	1.83	6314C3	6314C3
449T	26.4	19.65	23.52	24.76	4.33	0.875	0.875	6.93	2.880	8.50	3.375	8.00	24.02	17.91	1.83	6320	6316
449TS	26.4	19.72	23.52	24.76	4.33	0.625	0.625	3.03	2.021	4.75	2.375	4.50	24.02	17.91	1.83	6314C3	6314C3

- Note :**
1. Dimension D tolerance : +0.00 inches, -0.06 inch.
 2. Dimension U tolerance : +0.000 incjes, -0.001 inches.
 3. Dimension R tolerance : +0.000 inches, -0.015 inches.
 4. Dimension V is the length of straight part of shaft.
 5. For Direct Flexible Coupling.

OUTLINE DIMENSION SHEET

MODEL

AEHH8N

3-PHASE INDUCTION MOTOR
FRAME SIZE 449T(X) & TS(X)

Totally Enclosed Fan - Cooled Type, Squirrel - Cage Rotor

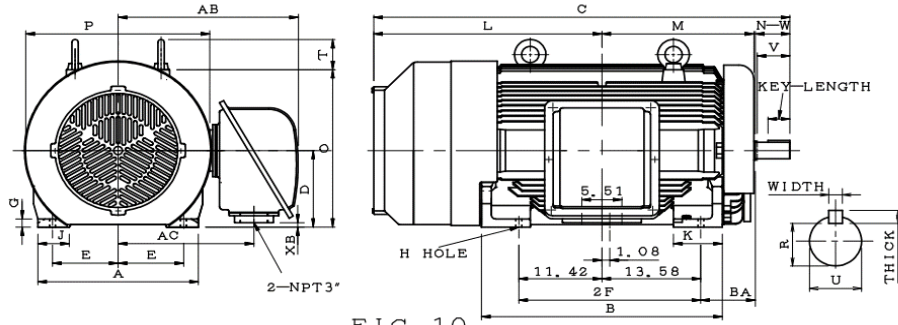


FIG. 10

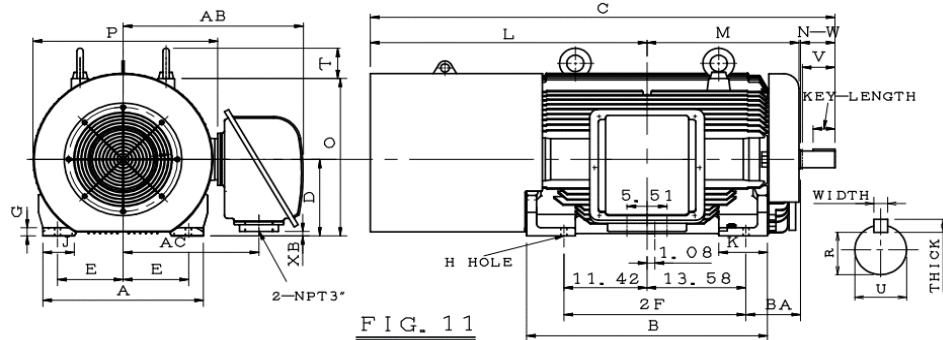


FIG. 11

Dimension in inches

Output (HP)				FRAME SIZE	FIG. NO.	Mounting				A	B	C	D	G	J	K	L	M
2P	4P	6P	8P			E	2F	H	BA									
—	350 400	300	—	449T(X)	10	9.00	25.00	0.81	7.50	22.05	33.07	60.92	11.00	1.18	4.35	6.70	31.34	20.87
350 400	—	—	—	449TS(X)	11	9.00	25.00	0.81	7.50	22.05	33.07	63.82	11.00	1.18	4.35	6.70	37.99	20.87

FRAME SIZE	O	P	T	Key			Keyseat	Shaft Extension			Terminal Housing			Bearings	
				WIDTH	THICK	LENGTH	R	N-W	U	V	AB	AC	XB	DRIVE END	OPPOSITE DRIVE END
449T(X)	22.6	25.7	4.33	0.875	0.875	6.93	2.880	8.50	3.375	8.00	24.80	18.70	0.65	6320	6316
449TS(X)	22.6	25.3	4.33	0.625	0.625	3.03	2.021	4.75	2.375	4.50	24.80	18.70	0.65	6314C3	6314C3

- Note :**
1. Dimension D tolerance : +0.00 inches, -0.06 inches.
 2. Dimension U tolerance : +0.000 inches, -0.001 inches.
 3. Dimension R tolerance : +0.000 inches, -0.015 inches.
 4. Dimension V is the length of straight part of shaft.
 5. For Direct Flexible Coupling.