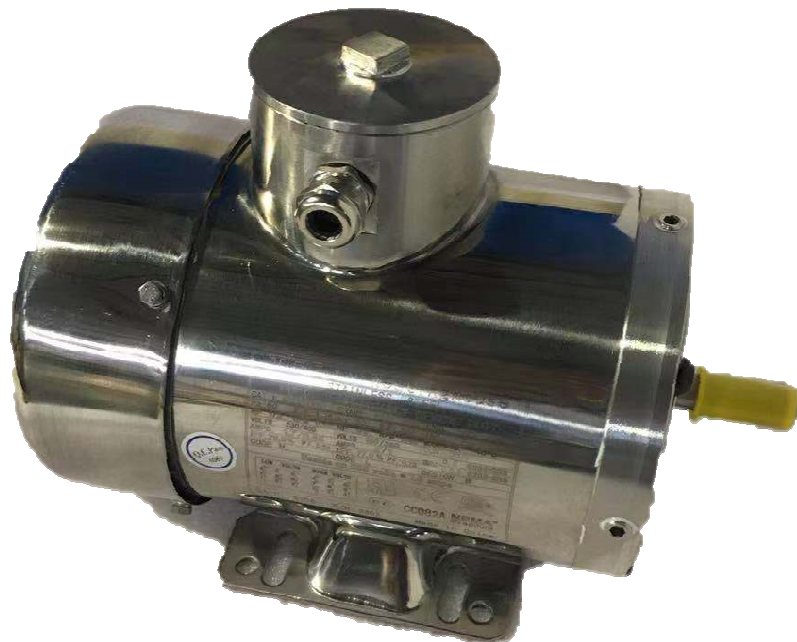




全密型不鏽鋼馬達 (TEFC)
(For NEMA)

MODEL : AEGPQL/AETPQL

STANDARD 3-PHASE INDUCTION MOTORS
LOW VOLTAGE SQUIRREL CAGE
FRAME NOS : 56C ~ 215TC



DWG NO.

31057D62505

REV. 00

		SPECIFICATION TABLE	MODEL AEGPQL/AETPQL
		STAINLESS STEEL FRAME PREMIUM EFFICIENCY 3-PHASE INDUCTION MOTORS	
ITEM		STANDARD SPECIFICATION	
R A T I N G	Kind of Motors	Squirrel Cage Induction Motor (SCIM) Stainless Steel	
	Design Standards	NEMA Premium Efficient. NEMA MG-1, MG-13	
	Voltages	230/460V(Usable on 208V),Capable of Running on 190/380 50Hz ;60Hz 57	
	Frequency	50Hz/60Hz	
	Output Range	0.5HP~10HP	
	R.P.M. (Syn.)	3600~1800 R.P.M.(2~4 Poles).	
	Time Duty	Continuous, S.F. 1.15; 50Hz. @1.0	
	Frame Size	56C ~215TC	
	Protection Enclosure	IP66. Optional to IP69K	
	Cooling Method	Self External Fan , Surface Cooling (IC 411) .	
	Mounting	Horizontal Foot Mounting F-1 with C - Face Flange (IM 2101), and Round Body Cface F-2 & F-3 available when specify in the order	
A P P L I C A T I O N	Power Condition	Voltage $\pm 10\%$, Frequency $\pm 5\%$, and $\pm 10\%$ MAX of Combined Voltage and Frequency but Frequency Variation does Not Exceed $\pm 5\%$	
	Designed For	Packaging Industry/Food and Beverage Industry (Any location where the motor will be subject to High Pressure Spray Down.)	
	Environment Conditions	Place : Non-Hazardous , Ambient Temperature:-40°C~ 40°C Relative Humidity: Less Than 90%RH (Non-Condensation) Altitude: Less Than 3,300 ft	
	Drive Method	Belt Service or Direct Coupling.	
	Direction of Rotation	Bi - Directional.	
	Method of Starting	Full Voltage Direct On Line/Reduced Voltage/VFD/Inverter Duty CT 10:1 & VT 20:1	
P E R F O R M A N C E	Test Procedure	IEEE-112 Method B and Full Voltage Measuring Starting Performance.	
	Typical Performance	Nema Premium	
	Temperature Rise	CE, UR, CSA (with C & US) and IEEE45 *See Nameplate Tab for design and Certification Marks	
	Over Speed	125% Syn. RPM for Two Min.	
	Over Torque	160% Rated Torque for 15 Seconds.	

PERFORMANCE DATA																		MODEL		
STAINLESS STEEL FRAME																		AEGPQL/AETPQL		
PREMIUM EFFICIENCY 3-PHASE INDUCTION MOTORS																				



TEFC, NEAM, T-FRAME, DESIGN B
 CLASS F, 40°C AMBIENT, CONTINUOUS DUTY,
 S.F. 1.15 230/460V 60HZ

TYPICAL PERFORMANCE

(230 V)

HP	FULL LOAD RPM	FRAME SIZE	EFFICIENCY(%)			POWER FACTOR(%)			CURRENT			TORQUE				ROTOR WK ² lb-ft ²	NEMA CODE LETTER	USED AT			
			FULL LOAD		3/4 LOAD	1/2 LOAD	FULL LOAD	3/4 LOAD	1/2 LOAD	FULL LOAD	208V USABLE (A)	LOCKED ROTOR (A)	FULL LOAD lb-ft	LOCKED ROTOR %FLT	PULL UP %FLT			BREAK DOWN %FLT	50Hz		
			NOM.	MIN.															HP	RPM	ON-A
0.5	3490	56C	74.0	70.0	67.0	60.0	83	70	58	1.5	1.6	16	0.75	340	280	410	0.035	P	0.5	2865	1.8
0.5	1745	56C	78.5	75.5	76.0	70.0	68	55	45	1.7	1.9	15	1.50	300	240	380	0.073	N	0.5	1440	2.0
0.75	3500	56C	77.0	74.0	73.0	65.0	83	77	68	2.2	2.3	24	1.12	400	330	460	0.052	P	0.75	2880	2.6
0.75	1750	56C	81.5	78.5	78.0	74.0	69	61	50	2.5	2.7	22	2.25	310	245	385	0.089	N	0.75	1440	2.9
1	3500	56C	77.0	74.0	76.0	74.0	88	84	76	2.8	2.9	30	1.50	285	230	410	0.052	N	1	2880	3.3
1	1760	56C	85.5	82.5	83.0	79.0	66	56	43	3.4	3.7	30	2.98	300	240	370	0.105	N	1	1450	4.0
1	3500	143TC	77.0	74.0	76.0	74.0	88	84	76	2.8	2.9	30	1.50	285	230	410	0.052	N	1	2880	3.3
1	1760	143TC	85.5	82.5	83.0	79.0	66	56	43	3.4	3.7	30	2.98	300	240	370	0.105	N	1	1450	4.0
1.5	3500	56C	84.0	81.5	81.5	77.0	88	85	77	4.0	4.2	40	2.25	270	225	410	0.069	M	1.5	2880	4.8
1.5	1760	56C	86.5	84.0	84.5	81.0	69	60	46	4.6	5.0	40	4.47	330	260	400	0.145	M	1.5	1450	5.4
1.5	3500	143TC	84.0	81.5	81.5	77.0	88	85	77	4.0	4.2	40	2.25	270	225	410	0.069	M	1.5	2880	4.8
1.5	1760	145TC	86.5	84.0	84.5	81.0	69	60	46	4.6	5.0	40	4.47	330	260	400	0.145	M	1.5	1450	5.4
2	3510	56C	85.5	82.5	85.5	84.0	90	86	78	4.8	5.2	50	2.99	280	230	400	0.091	L	2	2890	5.8
2	1750	56C	86.5	84.0	85.5	82.5	74	65	52	6.0	6.2	50	6.00	380	285	450	0.194	L	2	1440	7.2
2	3510	145TC	85.5	82.5	85.5	84.0	90	86	78	4.8	5.2	50	2.99	280	230	400	0.091	L	2	2890	5.8
2	1750	145TC	86.5	84.0	85.5	82.5	74	65	52	6.0	6.2	50	6.00	380	285	450	0.194	L	2	1440	7.2
3	3510	182TC	86.5	84.0	86.0	83.0	80	73	60	8.1	8.8	64	4.49	175	155	285	0.167	K	3	2890	9.6
3	1765	182TC	89.5	87.5	88.0	85.0	76	69	56	8.0	8.4	64	8.92	250	200	350	0.478	K	3	1455	9.6
5	3525	184TC	88.5	86.5	88.5	87.5	88	85	77	12.2	12.6	92	7.44	190	165	295	0.292	J	5	2900	14.4
5	1760	184TC	89.5	87.5	89.5	89.0	81	75	64	12.5	13.0	92	14.91	200	170	300	0.687	J	5	1450	14.8
7.5	3535	213TC	89.5	87.5	89.0	86.5	82	77	67	19.0	20.5	127	11.13	250	200	330	0.863	H	7.5	2915	22.4
7.5	1765	213TC	91.7	90.2	91.0	90.0	79	74	62	18.6	20.0	127	22.30	185	160	300	0.950	H	7.5	1455	22.4
10	3535	215TC	90.2	88.5	90.0	88.0	85	81	72	24.4	26.0	162	14.84	200	175	275	1.079	H	10	2915	29.0
10	1760	215TC	91.7	90.2	92.0	90.5	78	72	60	26.0	27.0	162	29.82	185	160	300	1.193	H	10	1450	31.0

NOTE :

1. The above are typical values based on test according to ANSI/IEEE standard 112 method B.
2. Breakdown & locked rotor torques are shown as average expected values.
3. Efficiency, power factor, speed and torque are the same for other voltages.
 Current values vary inversely with voltage.
4. Tolerance According to NEMA MG1-12 & IEC 60034-1.

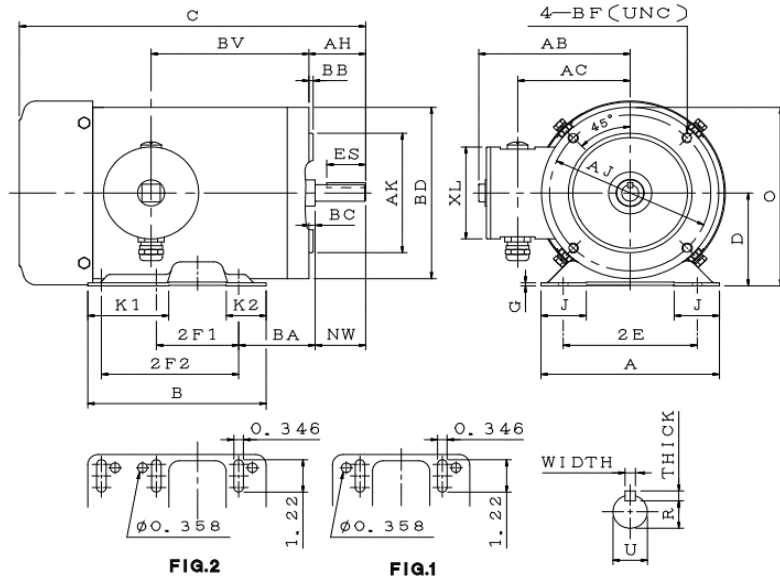
OUTLINE DIMENSIONS SHEET

MODEL

AEGPQL

STAINLESS STEEL FRAME
PREMIUM EFFICIENCY 3-PHASE INDUCTION MOTORS
FRAME SIZE 56C~145TC F1

Totally Enclosed Fan-Cooled , Squirrel - Cage Rotor.



Dimension in inches

HP		FRAME	MOTOR DIMENSION																			
2P	4P		FIG.	A	B	C	D	2E	2F1	2F2	G	J	K1	K2	BD	AH	AJ	AK	BA	BB	BC	BF
0.5	0.5	56C	1	6.5	5.0	11.65	3.5	4.88	3.0	--	0.118	1.65	1.45	1.45	6.45	2.06	5.875	4.5	2.75	0.16	-0.19	3/8" - 16
0.75	0.75	56C	1	6.5	5.0	11.65	3.5	4.88	3.0	--	0.118	1.65	1.45	1.45	6.45	2.06	5.875	4.5	2.75	0.16	-0.19	3/8" - 16
1	1	56C	2	6.5	6.5	12.65	3.5	4.88	3.0	5.0	0.118	1.65	2.96	1.45	6.45	2.06	5.875	4.5	2.75	0.16	-0.19	3/8" - 16
		143TC	2	6.5	6.5	12.65	3.5	5.50	4.0	5.0	0.118	1.65	2.96	1.45	6.45	2.12	5.875	4.5	2.75	0.16	0.12	3/8" - 16
2	1.5	56C	2	6.5	6.5	12.65	3.5	4.88	3.0	5.0	0.118	1.65	2.96	1.45	6.45	2.06	5.875	4.5	2.75	0.16	-0.19	3/8" - 16
		145TC	2	6.5	6.5	12.65	3.5	5.50	3.0	5.0	0.118	1.65	2.96	1.45	6.45	2.12	5.875	4.5	2.75	0.16	0.12	3/8" - 16

HP		FRAME	CONDUIT BOX					SHAFT EXTENSION, KEY					BEARINGS		
2P	4P		O	AB	AC	BV	XL	U	R	N-W	ES	WIDTH	THICK	DE	ODE
0.5	0.5	56C	6.73	5.55	4.15	4.75	3.45	0.625	0.517	1.88	1.41	0.188	0.188	6205-2RS	6205-2RS
0.75	0.75	56C	6.73	5.55	4.15	5.75	3.45	0.625	0.517	1.88	1.41	0.188	0.188	6205-2RS	6205-2RS
1	1	56C	6.73	5.55	4.15	5.75	3.45	0.625	0.517	1.88	1.41	0.188	0.188	6205-2RS	6205-2RS
		143TC	6.73	5.55	4.15	6.95	3.45	0.875	0.771	2.25	1.41	0.188	0.188	6205-2RS	6205-2RS
2	1.5	56C	6.73	5.55	4.15	6.95	3.45	0.625	0.517	1.88	1.41	0.188	0.188	6205-2RS	6205-2RS
		145TC	6.73	5.55	4.15	6.95	3.45	0.875	0.771	2.25	1.41	0.188	0.188	6205-2RS	6205-2RS

- Note :
1. Dimension D tolerance : +0.00 inch , -0.06 inch .
 2. Dimension U tolerance : +0.000 inch , -0.0005 inch .
 3. Dimension R tolerance : +0.000 inch , -0.015 inch .
 4. Dimension V is length of straight part of shaft.

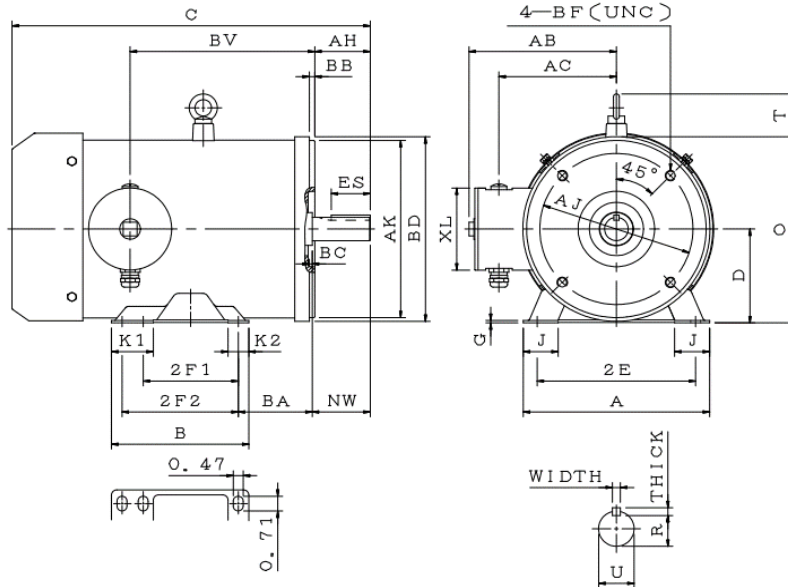
OUTLINE DIMENSIONS SHEET

MODEL

AEGPQL

STAINLESS STEEL FRAME
PREMIUM EFFICIENCY 3-PHASE INDUCTION MOTORS
FRAME SIZE 182TC~215TC F1

Totally Enclosed Fan-Cooled , Squirrel - Cage Rotor.



Dimension in inches

HP		FRAME	MOTOR DIMENSION																			
2P	4P		A	B	C	D	2E	2F1	2F2	G	J	K1	K2	BD	AH	AJ	AK	BA	BB	BC	T	BF
3	3	182TC	8.8	6.5	17	4.5	7.5	4.5	5.5	0.12	1.65	1.98	0.98	8.85	2.62	7.25	8.5	3.5	0.25	0.12	2.06	1/2"-13
5	5	184TC	8.8	6.5	17	4.5	7.5	4.5	5.5	0.12	1.65	1.98	0.98	8.85	2.62	7.25	8.5	3.5	0.25	0.12	2.06	1/2"-13
7.5	7.5	213TC	9.6	8.1	20.7	5.25	8.5	5.5	7	0.16	1.26	--	--	10.08	3.12	7.25	8.5	4.25	0.25	0.25	2.61	1/2"-13
10	10	215TC	9.6	8.1	21.5	5.25	8.5	5.5	7	0.16	1.26	--	--	10.08	3.12	7.25	8.5	4.25	0.25	0.25	2.61	1/2"-13

HP		FRAME	CONDUIT BOX				SHAFT EXTENSION, KEY						BEARINGS		
2P	4P		O	AB	AC	BV	XL	U	R	N-W	ES	WIDTH	THICK	DE	ODE
3	3	182TC	8.93	7	5.6	8.75	3.95	1.125	0.986	2.75	1.78	0.25	0.25	6308-2RS	6306-2RS
5	5	184TC	8.93	7	5.6	8.75	3.95	1.125	0.986	2.75	1.78	0.25	0.25	6308-2RS	6306-2RS
7.5	7.5	213TC	9.50	7.85	6.41	11.39	3.95	1.375	1.201	3.38	2.41	0.312	0.312	6308-2RS	6208-2RS
10	10	215TC	9.50	7.85	6.41	12.18	3.95	1.375	1.201	3.38	2.41	0.312	0.312	6308-2RS	6208-2RS

- Note :
1. Dimension D tolerance : +0.00 inch , -0.06 inch .
 2. Dimension U tolerance : +0.000 inch , -0.0005 inch .
 3. Dimension R tolerance : +0.000 inch , -0.015 inch .
 4. Dimension V is length of straight part of shaft.

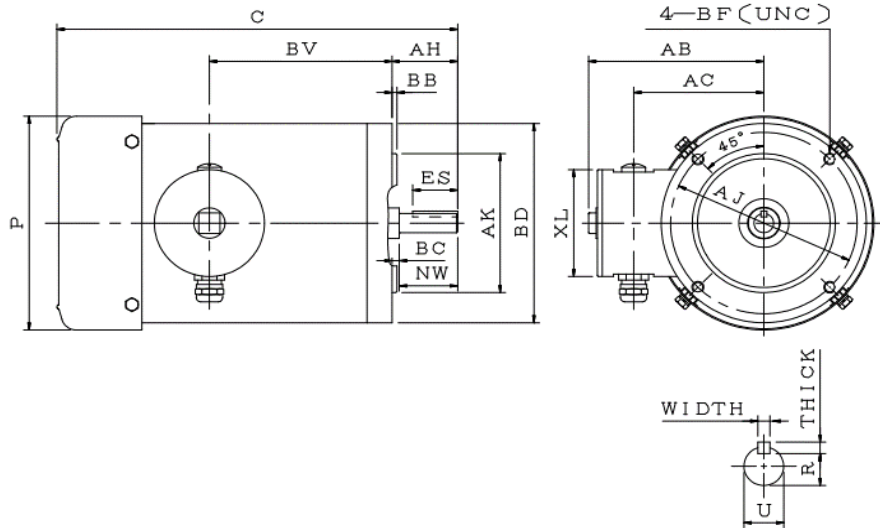
OUTLINE DIMENSIONS SHEET

MODEL

AETPQL

STAINLESS STEEL FRAME
PREMIUM EFFICIENCY 3-PHASE INDUCTION MOTORS
FRAME SIZE 56C~145TC F1

Totally Enclosed Fan-Cooled , Squirrel - Cage Rotor.



Dimension in inches

HP		FRAME	MOTOR DIMENSION										CONDUIT BOX				SHAFT EXTENSION, KEY					
2P	4P		C	BD	AH	AJ	AK	BB	BC	P	BF	AB	AC	BV	XL	U	R	N-W	ES	WIDTH	THICK	
0.5	0.5	56C	11.65	6.45	2.06	5.875	4.5	0.16	-0.19	6.93	3/8" - 16	5.55	4.15	4.75	3.45	0.625	0.517	1.88	1.41	0.188	0.188	
0.75	0.75	56C	11.65	6.45	2.06	5.875	4.5	0.16	-0.19	6.93	3/8" - 16	5.55	4.15	5.75	3.45	0.625	0.517	1.88	1.41	0.188	0.188	
1 1.5	1	56C	12.65	6.45	2.06	5.875	4.5	0.16	-0.19	6.93	3/8" - 16	5.55	4.15	5.75	3.45	0.625	0.517	1.88	1.41	0.188	0.188	
		143TC	12.65	6.45	2.12	5.875	4.5	0.16	0.12	6.93	3/8" - 16	5.55	4.15	6.95	3.45	0.875	0.771	2.25	1.41	0.188	0.188	
2	1.5 2	56C	12.65	6.45	2.06	5.875	4.5	0.16	-0.19	6.93	3/8" - 16	5.55	4.15	6.95	3.45	0.625	0.517	1.88	1.41	0.188	0.188	
		145TC	12.65	6.45	2.12	5.875	4.5	0.16	0.12	6.93	3/8" - 16	5.55	4.15	6.95	3.45	0.875	0.771	2.25	1.41	0.188	0.188	

HP		FRAME	BEARINGS	
2P	4P		DE	ODE
0.5	0.5	56C	6205-2RS	6205-2RS
0.75	0.75	56C	6205-2RS	6205-2RS
1 1.5	1	56C	6205-2RS	6205-2RS
		143TC	6205-2RS	6205-2RS
2	1.5 2	56C	6205-2RS	6205-2RS
		145TC	6205-2RS	6205-2RS

- Note :
1. Dimension D tolerance : +0.00 inch , -0.06 inch .
 2. Dimension U tolerance : +0.000 inch , -0.0005 inch .
 3. Dimension R tolerance : +0.000 inch , -0.015 inch .
 4. Dimension V is length of straight part of shaft.

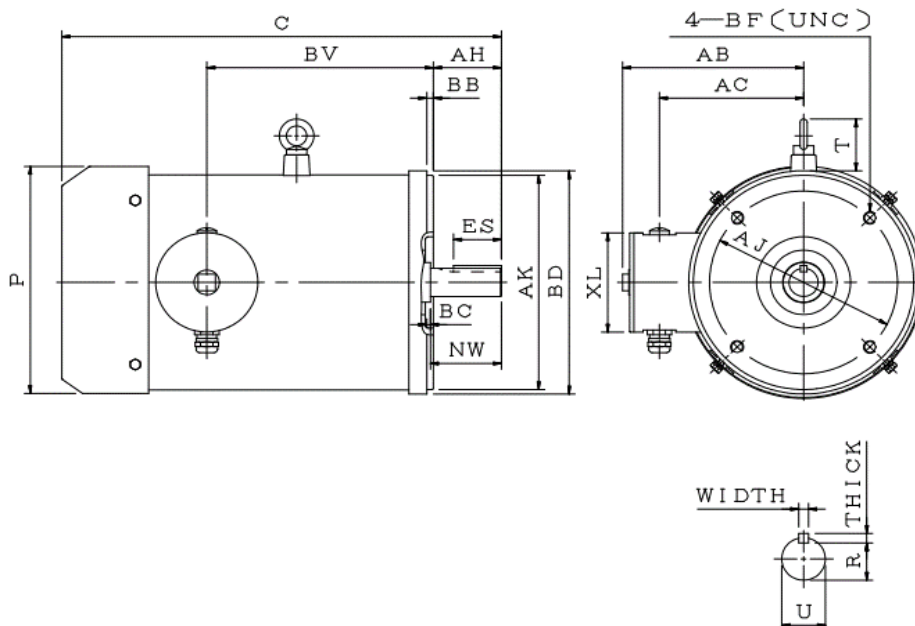
OUTLINE DIMENSIONS SHEET

MODEL

AETPQL

STAINLESS STEEL FRAME
PREMIUM EFFICIENCY 3-PHASE INDUCTION MOTORS
FRAME SIZE 182TC~215TC F1

Totally Enclosed Fan-Cooled , Squirrel - Cage Rotor.



Dimension in inches

HP		FRAME	MOTOR DIMENSION										CONDUIT BOX				SHAFT EXTENSION · KEY					
2P	4P		C	BD	AH	AJ	AK	BB	BC	P	T	BF	AB	AC	BV	XL	U	R	N-W	ES	WIDTH	THICK
3	3	182TC	17	8.85	2.62	7.25	8.5	0.25	0.12	9.02	2.06	1/2"-13	7	5.6	8.75	3.95	1.125	0.986	2.75	1.78	0.250	0.250
5	5	184TC	17	8.85	2.62	7.25	8.5	0.25	0.12	9.02	2.06	1/2"-13	7	5.6	8.75	3.95	1.125	0.986	2.75	1.78	0.250	0.250
7.5	7.5	213TC	20.7	10.08	3.12	7.25	8.5	0.25	0.25	10.47	2.61	1/2"-13	7.85	6.41	11.39	3.95	1.375	1.201	3.38	2.41	0.312	0.312
10	10	215TC	21.5	10.08	3.12	7.25	8.5	0.25	0.25	10.47	2.61	1/2"-13	7.85	6.41	12.18	3.95	1.375	1.201	3.38	2.41	0.312	0.312

HP		FRAME	BEARINGS	
2P	4P		DE	ODE
3	3	182TC	6308-2RS	6306-2RS
5	5	184TC	6308-2RS	6306-2RS
7.5	7.5	213TC	6308-2RS	6208-2RS
10	10	215TC	6308-2RS	6208-2RS

- Note :
1. Dimension D tolerance : +0.00 inch , -0.06 inch .
 2. Dimension U tolerance : +0.000 inch , -0.0005 inch .
 3. Dimension R tolerance : +0.000 inch , -0.015 inch .
 4. Dimension V is length of straight part of shaft.