

低壓全密型TEFC泵浦用馬達(空心軸)

MODEL : AEEHNNH

HIGH THRUST HOLLOWSHAFT PUMP MOTORS
LOW VOLTAGE SQUIRREL CAGE
FRAME SIZE (EHV) 444TP ~ 449TP



DWG NO.

3A057M066E

REV. 02

1/1

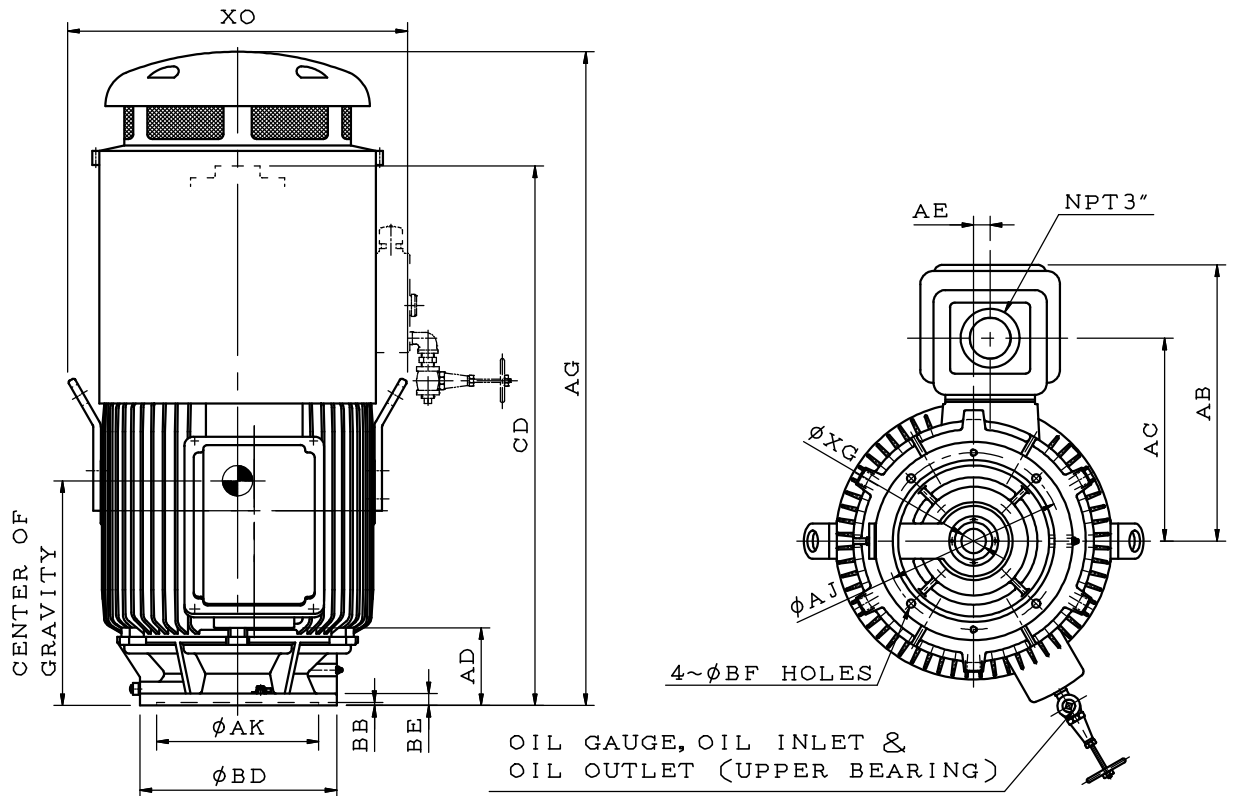
OUTLINE DIMENSIONS SHEET

MODEL

AEEHNNH

HIGH THRUST HOLLOWSHAFT PUMP MOTORS
FRAME SIZE (EHV) 444TP ~ 449TP

TOTALLY ENCLOSED FAN COOLED SQUIRREL CAGE



OIL GAUGE, OIL INLET &
OIL OUTLET (UPPER BEARING)

DIMENSIONS IN INCHES

OUTPUT (HP)			FRAME SIZE (EHV)	MOUNTING						CD
4P	6P	8P		AK	AJ	BD	BF	BB	BE	
125	100	—	444TP	13.50	14.75	16.50	0.69	0.25	1.00	43.03
150	125	—	445TP	13.50	14.75	16.50	0.69	0.25	1.00	45.00
200	150	100, 125	447TP	13.50	14.75	20.00	0.69	0.25	1.20	45.94
250, 300	200, 250	150	449TP	13.50	14.75	20.00	0.69	0.25	1.20	53.94

FRAME SIZE (EHV)	XG	AG	XO	TERMINAL HOUSING				CENTER OF GRAVITY	BEARINGS	
				AB	AC	AD	AE		UPPER END	LOWER END
444TP	2.047	52.56	28.35	23.05	16.95	5.50	1.40	18.3	7324B	6316C3
445TP	2.047	54.53	28.35	23.05	16.95	6.50	1.40	19.2	7324B	6316C3
447TP	2.559	56.06	30.55	24.00	17.90	7.85	1.20	19.1	7326B	6318C3
449TP	2.559	64.06	30.55	24.00	17.90	11.35	1.20	22.6	7326B	6318C3

- NOTE: 1. DIMENSION AK TOLERANCE: +0.005 INCH, -0.000 INCH
 2. FOR COUPLING AS DWG NO. 4B049R503E
 3. WITH NON-REVERSE RATCHET MECHANISM
 4. ROTATING DIRECTION: COUNTER CLOCK-WISE
 (VIEW FROM COUPLING END)

OUTLINE DIMENSIONS SHEET

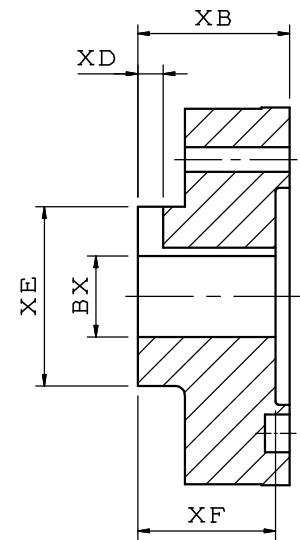
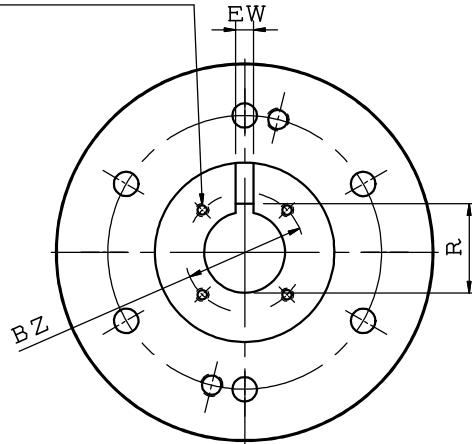
MODEL

AEEHNNH

DRIVE COUPLING FOR HOLLOWSHAFT PUMP MOTOR

FRAME SIZE (EHV) 444TP ~ 449TP

BY TAP 4 HOLES



DIMENSIONS IN INCHES

FRAME SIZE	BX	BY	BZ	EW	R	XB	XD	XE	XF
444TP 445TP	1.188	1/4-20	1.750	0.250	1.304	3.071	0.406	3.740	2.875
	1.251	1/4-20	1.750	0.250	1.367	3.071	0.406	3.740	2.875
	1.438	1/4-20	2.125	0.375	1.605	3.071	0.531	3.740	2.875
	1.501	1/4-20	2.125	0.375	1.669	3.071	0.531	3.740	2.875
	1.688*	1/4-20	2.500	0.375	1.859	3.071	0.531	3.740	2.875
	1.751	1/4-20	2.500	0.375	1.922	3.071	0.531	3.740	2.875
	1.938	1/4-20	2.500	0.500	2.160	3.071	0.689	3.740	2.875
447TP 449TP	1.438	1/4-20	2.125	0.375	1.605	3.858	0.531	4.724	3.071
	1.501	1/4-20	2.125	0.375	1.669	3.858	0.531	4.724	3.071
	1.688*	1/4-20	2.500	0.375	1.859	3.858	0.531	4.724	3.071
	1.751	1/4-20	2.500	0.375	1.922	3.858	0.531	4.724	3.071
	1.938	1/4-20	2.500	0.500	2.160	3.858	0.689	4.724	3.071
	2.001	3/8-16	3.250	0.500	2.223	3.858	0.689	4.724	3.071
	2.063	3/8-16	3.250	0.500	2.287	3.858	0.689	4.724	3.071
	2.126*	3/8-16	3.250	0.500	2.350	3.858	0.689	4.724	3.071
	2.188	3/8-16	3.250	0.500	2.414	3.858	0.689	4.724	3.071
	2.251	3/8-16	3.250	0.500	2.477	3.858	0.689	4.724	3.071
	2.376	3/8-16	3.250	0.625	2.651	3.858	0.815	4.724	3.071
	2.438	3/8-16	3.250	0.625	2.714	3.858	0.815	4.724	3.071
2.501	3/8-16	3.250	0.625	2.778	3.858	0.815	4.724	3.071	

NOTE: 1. TOLERANCE ON BX DIMENSION AS FOLLOWS UP TO 1.500 INCHES: +0.001INCH, -0.000INCH
LARGER THAN 1.500 INCHES: +0.0015INCH, -0.000INCH

2. DIMENSION EW TOLERANCE: +0.002INCH, -0.000INCH

3. DIMENSION R TOLERANCE: +0.010INCH, -0.000INCH

4. * MARKED TABLE APPLIED TO STANDARD SIZE

444TP~445TP: BX=1.688, 447TP: BX=1.688, 449TP: BX=2.126

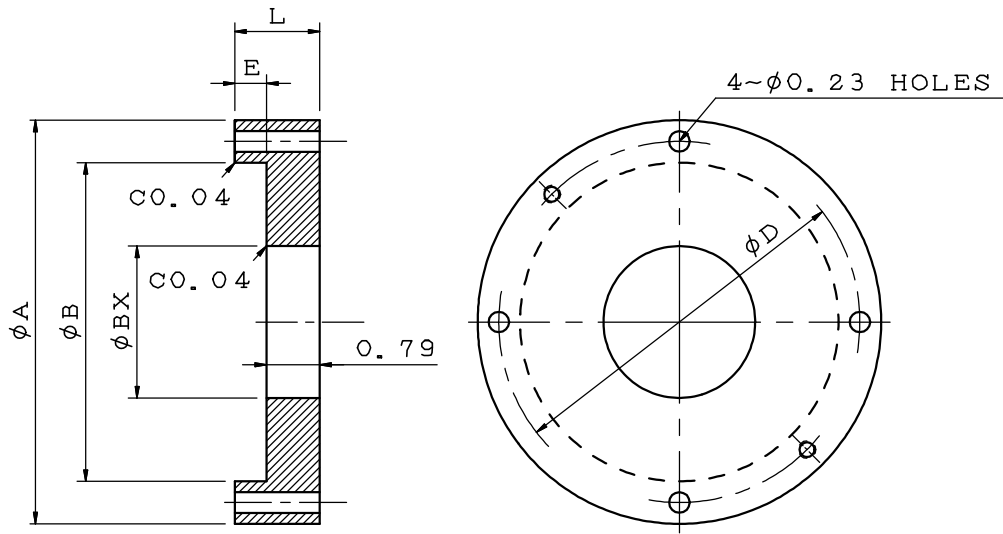
OUTLINE DIMENSIONS SHEET

MODEL

AEEHNNH

STEADY BUSH FOR HOLLOW SHAFT PUMP MOTOR
FRAME SIZE (EHV) 444TP ~ 449TP

OPTIONAL



DIMENSIONS IN INCHES

FRAME SIZE	BX	A	B	D	E	L
444TP 445TP	1.188	4.09	3.15	3.62	0.31	1.10
	1.251					
	1.438					
	1.501					
	1.688*					
	1.751					
	1.938					
447TP 449TP	1.438	4.49	3.54	4.02	0.47	1.26
	1.501					
	1.688*					
	1.751					
	1.938					
	2.001					
	2.063					
	2.126*					
	2.188					
	2.251					
	2.376					
	2.438					
	2.501					

NOTE: 1. TOLERANCE ON BX DIMENSION AS FOLLOWS UP TO 1.500 INCHES: +0.001INCH, -0.000INCH
LARGER THAN 1.500 INCHES: +0.0015INCH, -0.000INCH
2. * MARKED TABLE APPLIED TO STANDARD SIZE
444TP~445TP: BX=1.688, 447TP: BX=1.688, 449TP: BX=2.126