

東元全密型 MAX-E2/841 IE3 優級效率馬達

MODEL : **AEHH8B**

NEMA / IEEE-841
PREMIUM EFFICIENCY MOTORS
LOW VOLTAGE SQUIRREL CAGE
FRAME SIZE : 143T ~ 449TS



DWG. NO.

31057D98501

REV. 11

		SPECIFICATION TABLE	MODEL AEHH8B
		3-PHASE INDUCTION MOTORS LOW VOLTAGE SQUIRREL CAGE	
ITEM		STANDARD SPECIFICATION	
R A T I N G	Kind of Motors	Squirrel Cage Induction Motors (SCIM) .	
	Design Standards	NEMA MG-1, MG-13, IEEE-841 .	
	Voltages	460V, 575V .	
	Frequency	60Hz .	
	Output Range	1HP ~ 350HP .	
	R.P.M. (Syn.)	3600, 1800, 1200 and 900 R.P.M. (2, 4, 6 and 8 Poles) .	
	Time Duty	Continuous, S.F. 1.15 .	
	Frame Size	143T ~ 449TS .	
	Protection Enclosure	Totally Enclosed IP55. (Option IP66)	
	Cooling Method	Self External Fan, Surface Cooling (IC 411) .	
Mounting	Horizontal Foot Mounting F-1, F-1 and F-2 Interchangeable .		
A P P L I C A T I O N	Power Condition	Voltage : $\pm 10\%$, Frequency : $\pm 5\%$, And $\pm 10\%$ of Combined Voltage and Frequency, But Frequency Variation Does Not Exceed $\pm 5\%$.	
	Hazardous Location	Ambient Temperature : $-15^{\circ}\text{C} \sim 40^{\circ}\text{C}$, Relative Humidity : Less Than 90%RH (Non - Condensation), Altitude : Less Than 3,300ft. Class I, Div.2, Group B, C & D, Temp. Code T3 min per CSA Certificate. (F#444~449 only except 2P-350HP, 4P-350HP and 6P-300HP) Class II, Div. 2, Group F & G per CSA Certificate. (STD:444T~449T except 2P-350HP, 4P-350HP and 6P-300HP; Option : 143T~405T)	
	Drive Method	143T~405T For Belt Drive Application, However for 2-Pole 25HP and Larger (Ts Frame) Direct-Coupling Service Only 444T~449T For Direct - Coupling Service	
	Direction of Rotation	Bi - Directional except 2P-300HP which is clock-wise facing the opposite drive end.	
	Method of Starting	Full Voltage Direct On Line or Starting with INVERTER .	
P E R F O R M A N C E	Test Procedure	IEEE-841 .	
	Temperature Rise	For Winding : Not to Exceed 90°C (F#440T(~350HP) : 115°C) for S.F.1.15 or 80°C for S.F.1.0 by Resistance Method, 400HP : Only 80°C For SF.1.0 by Resistance Method.	
	Noise	Sound Pressure Not Exceed 85dB (A) / 1m.	
	Over Speed	125% Syn. R.P.M. for Two Minutes. (2, 4 Poles), 150% Syn. R.P.M. for Two Minutes. (6, 8 Pole) .	
	Over Torque	160% Rated Torque for 15 Sec .	

PERFORMANCE DATA

MODEL

AEHH8B

3-PHASE SQUIRREL CAGE
HIGH EFFICIENCY INDUCTION MOTORS



CC002A

TEFC, NEMA T-FRAME, DESIGN - B,
CLASS F, 40°C AMBIENT, CONTINUOUS DUTY,
S.F. 1.15 460V 60Hz

TYPICAL PERFORMANCE

(460 V)

HP	FULL LOAD RPM	FRAME SIZE	EFFICIENCY(%)				POWER FACTOR(%)			CURRENT		TORQUE				ROTOR WK ² lb-ft ²	NEMA CODE LETTER	APPROX. WEIGHT LBS
			FULL LOAD		3/4 LOAD	1/2 LOAD	FULL LOAD	3/4 LOAD	1/2 LOAD	FULL LOAD (A)	LOCKED ROTOR (A)	FULL LOAD lb-ft	LOCKED ROTOR %FLT	PULL UP %FLT	BREAK DOWN %FLT			
			NOM.	MIN.														
60	3550	364TS	94.1	93.0	94.5	94.1	93.0	92.0	88.5	64.2	435	88.74	145	130	240	7.379	G	759
	1775	364T	95.0	94.1	95.0	94.5	86.5	83.0	75.5	68.4	435	177.5	200	155	240	12.23	G	777
	1180	404T	94.5	93.6	94.5	94.1	87.0	86.5	80.5	68.3	435	267.0	200	185	245	33.54	G	1256
	885	405T	93.0	91.7	93.6	93.6	81.0	78.0	68.0	74.6	435	356.0	200	180	230	32.55	G	1351
75	3555	365TS	94.5	93.6	95.0	95.0	93.0	92.5	89.0	79.9	543	110.8	145	130	250	9.056	G	818
	1775	365T	95.4	94.5	95.4	95.0	86.5	83.5	75.5	85.1	543	221.9	200	165	250	14.67	G	913
	1180	405T	94.5	93.6	94.5	94.5	86.5	84.5	79.0	85.9	543	333.7	200	175	225	37.86	G	1351
	885	444T	93.6	92.4	93.0	91.7	79.0	76.0	67.0	95.0	548	445.0	130	110	210	55.10	G	1575
100	3560	405TS	95.4	94.5	95.8	95.4	92.0	91.5	88.5	107	725	147.5	140	125	270	10.77	G	1228
	1775	405T	95.4	94.5	95.4	95.0	87.5	85.5	80.0	112	725	295.8	215	140	215	26.64	G	1296
	1181	444T	95.0	94.1	94.5	93.6	82.5	80.0	73.0	119	725	444.6	140	110	230	56.00	G	1683
	885	445T	93.6	92.4	93.0	91.7	79.0	76.5	68.0	127	725	593.3	130	110	210	72.80	G	1826
125	3563	444TS	95.0	94.1	94.5	93.6	86.0	83.5	80.0	143	910	184.2	110	88	220	16.60	G	1606
	1780	444T	95.4	94.5	95.0	94.1	85.0	83.0	77.0	144	910	368.7	130	100	220	44.30	G	1727
	1182	445T	95.0	94.1	94.5	93.6	83.0	80.5	74.0	148	910	555.3	140	110	230	68.00	G	1903
	888	447T	94.1	93.0	93.6	92.1	80.0	77.0	69.0	155	910	739.1	120	100	200	141.0	G	2134
150	3566	445TS	95.0	94.1	94.5	93.6	87.0	84.5	81.0	170	1085	220.9	110	88	220	20.00	G	1696
	1783	445T	95.8	95.0	95.4	94.5	85.0	83.0	78.0	172	1085	441.7	130	100	220	52.00	G	1811
	1185	447T	95.8	95.0	95.4	94.5	83.5	81.0	74.0	176	1085	664.6	135	105	220	103.0	G	2167
	888	449T	94.1	93.0	93.6	92.1	80.0	77.0	69.0	187	1085	886.9	120	100	200	166.0	G	2389
200	3572	447TS	95.4	94.5	95.0	94.1	89.0	85.0	81.0	221	1450	294.0	104	83	210	32.00	G	2024
	1785	447T	96.2	95.4	95.8	95.0	87.0	83.5	78.5	224	1450	588.3	120	95	210	73.50	G	2112
	1186	449T	95.8	95.0	95.4	94.5	84.0	81.0	74.0	233	1450	885.4	135	105	210	125.0	G	2380
	888	449T	94.5	93.5	94.1	93.0	80.0	77.0	69.0	248	1450	1183	120	100	200	221.0	G	2706
250	3575	449TS	95.8	95.0	95.4	94.5	89.8	86.0	82.0	272	1825	367.2	103	83	210	44.00	G	2244
	1787	449T	96.2	95.4	95.8	95.0	88.0	84.5	80.0	277	1825	734.5	110	90	210	83.00	G	2420
	1188	449T	95.8	95.0	95.4	94.5	84.5	82.0	74.5	289	1825	1105	110	90	210	140.0	G	2574
300	3580	449TS	95.8	95.0	95.4	94.5	90.2	86.5	82.5	325	2200	440.0	102	81	210	52.50	G	2420
	1788	449T	96.2	95.4	95.8	95.0	88.0	84.5	80.0	332	2200	881.0	100	85	210	107.0	G	2640
	1188	449T	95.8	95.0	95.4	94.5	84.5	82.0	74.5	347	2200	1326	100	85	210	199.0	G	2816
350	3583	449TS	95.8	95.0	95.4	94.5	90.2	86.5	82.5	379	2567	512.9	102	81	210	62.00	G	2826
	1788	449T	96.2	95.4	95.8	95.0	88.0	84.5	80.0	387	2567	1028	100	85	210	124.0	G	2937

- NOTE :
1. The above are typical values based on test according to ANSI/IEEE standard 112 method B.
 2. Breakdown & locked rotor torques are shown as average expected values.
 3. Efficiency, power factor, speed and torque are the same for other voltages.
Current values vary inversely with voltage.
 4. Tolerance according to NEMA MG1-12 & IEC 60034-1.
 5. Data subject to change without notice.

Detail Electrical Ratings DATA

MODEL

AEHH8B

3-PHASE SQUIRREL CAGE
HIGH EFFICIENCY INDUCTION MOTORS

Class I, Div. 2, Groups B, C and D; Temperature Coded T3, T3B, T3C

Class II, Div. 2, Groups F and G; Zone 22, Groups IIIA, and IIIB

Types AEHH-XX horizontal mounting with or without C, D or P Flange,

Frames Sizes 143 to 449 max, 2, 4, 6 and 8 pole rated 600V max, 300 hp max;

Class F, TEFC; 60 Hz @ 1.15 S.F. or 50 Hz @ 1.0 S.F. ,Continuous or Inverter duty @ 1.0 S.F.

8B: Non contacting seals per IEEE841 on both ends, plus epoxy paint for oil & chemical industry.

TYPE	POLES	HP	FRAME	SYN. SPEED	Variable Torque RPM (20:1)	Const. Torque RPM (10:1) or (5:1) or (3:1) or (2:1)	Const. HP RPM (max.)	TEMP. Code (Sine S.F. 1.15 / VFD 1.0)
AEHH/AEUH	2	1	143T	3600	175 - 3600	355 - 3600	3600 - 7200	T3C / T3C
AEHH/AEUH	2	1.5	143T	3600	175 - 3600	355 - 3600	3600 - 7200	T3C / T3C
AEHH/AEUH	2	2	145T	3600	175 - 3600	355 - 3600	3600 - 7200	T3C / T3C
AEHH/AEUH	2	3	182T	3600	175 - 3600	355 - 3600	3600 - 7200	T3C / T3C
AEHH/AEUH	2	5	184T	3600	175 - 3600	355 - 3600	3600 - 7200	T3C / T3C
AEHH/AEUH	2	7.5	213T	3600	175 - 3600	355 - 3600	3600 - 5400	T3C / T3B
AEHH/AEUH	2	10	215T	3600	175 - 3600	355 - 3600	3600 - 5400	T3C / T3B
AEHH/AEUH	2	15	254T	3600	175 - 3600	355 - 3600	3600 - 5400	T3C / T3B
AEHH/AEUH	2	20	256T	3600	175 - 3600	355 - 3600	3600 - 5400	T3C / T3B
AEHH/AEUH	2	25	284TS	3600	175 - 3600	355 - 3600	3600 - 5400	T3C / T3B
AEHH/AEUH	2	30	286TS	3600	175 - 3600	355 - 3600	3600 - 5400	T3C / T3B
AEHH/AEUH	2	40	324TS	3600	175 - 3600	355 - 3600	3600 - 4500	T3C / T3
AEHH/AEUH	2	50	326TS	3600	175 - 3600	355 - 3600	3600 - 4500	T3C / T3
AEHH/AEUH	2	60	364TS	3600	175 - 3600	355 - 3600	3600	T3C / T3
AEHH/AEUH	2	75	365TS	3600	175 - 3600	355 - 3600	3600	T3C / T3
AEHH/AEUH	2	100	405TS	3600	175 - 3600	355 - 3600	3600	T3C / T3
AEHH/AEUH	2	125	444TS	3600	175 - 3600	720 - 3600	3600	T3C / T3
AEHH/AEUH	2	150	445TS	3600	175 - 3600	720 - 3600	3600	T3 / T3
AEHH/AEUH	2	200	447TS	3600	175 - 3600	720 - 3600	3600	T3 / T3
AEHH/AEUH	2	250	449TS	3600	175 - 3600	1200 - 3600	3600	T3 / T3
AEHH/AEUH	2	300	449TS	3600	175 - 3600	1200 - 3600	3600	T3 / T3
AEHH/AEUH	2	350	449TS	3600	N/A	N/A	N/A	T3 / NA
AEHH/AEUH	4	1	143T	1800	88 - 1800	178 - 1800	1800 - 3600	T3C / T3C
AEHH/AEUH	4	1.5	145T	1800	88 - 1800	178 - 1800	1800 - 3600	T3C / T3C
AEHH/AEUH	4	2	145T	1800	88 - 1800	178 - 1800	1800 - 3600	T3C / T3C
AEHH/AEUH	4	3	182T	1800	88 - 1800	178 - 1800	1800 - 3600	T3C / T3C
AEHH/AEUH	4	5	184T	1800	88 - 1800	178 - 1800	1800 - 3600	T3C / T3C
AEHH/AEUH	4	7.5	213T	1800	88 - 1800	178 - 1800	1800 - 3600	T3C / T3B
AEHH/AEUH	4	10	215T	1800	88 - 1800	178 - 1800	1800 - 3600	T3C / T3B
AEHH/AEUH	4	15	254T	1800	88 - 1800	178 - 1800	1800 - 3600	T3C / T3B
AEHH/AEUH	4	20	256T	1800	88 - 1800	178 - 1800	1800 - 3600	T3C / T3B
AEHH/AEUH	4	25	284T	1800	88 - 1800	178 - 1800	1800 - 2700	T3C / T3B
AEHH/AEUH	4	30	286T	1800	88 - 1800	178 - 1800	1800 - 2700	T3C / T3B
AEHH/AEUH	4	40	324T	1800	88 - 1800	178 - 1800	1800 - 2700	T3C / T3B
AEHH/AEUH	4	50	326T	1800	88 - 1800	178 - 1800	1800 - 2700	T3C / T3
AEHH/AEUH	4	60	364T	1800	88 - 1800	178 - 1800	1800 - 2700	T3C / T3
AEHH/AEUH	4	75	365T	1800	88 - 1800	178 - 1800	1800 - 2700	T3C / T3
AEHH/AEUH	4	100	405T	1800	88 - 1800	178 - 1800	1800 - 2700	T3C / T3
AEHH/AEUH	4	125	444T	1800	88 - 1800	360 - 1800	1800 - 2700	T3C / T3
AEHH/AEUH	4	150	445T	1800	88 - 1800	360 - 1800	1800 - 2700	T3 / T3
AEHH/AEUH	4	200	447T	1800	88 - 1800	360 - 1800	1800 - 2250	T3 / T3
AEHH/AEUH	4	250	449T	1800	88 - 1800	600 - 1800	1800 - 2250	T3 / T3
AEHH/AEUH	4	300	449T	1800	88 - 1800	600 - 1800	1800 - 2250	T3 / T3
AEHH/AEUH	4	350	449T	1800	N/A	N/A	N/A	T3 / NA
AEHH/AEUH	6	1	145T	1200	58 - 1200	118 - 1200	1200 - 2400	T3C / T3C
AEHH/AEUH	6	1.5	182T	1200	58 - 1200	118 - 1200	1200 - 2400	T3C / T3C
AEHH/AEUH	6	2	184T	1200	58 - 1200	118 - 1200	1200 - 2400	T3C / T3C
AEHH/AEUH	6	3	213T	1200	58 - 1200	118 - 1200	1200 - 2400	T3C / T3C

NOTE :

- (a) Suffix numbers and or letter representing mechanical construction.
- (b) Current at 208V is also marked if the motor is rated with 208V on the nameplate in addition to other voltages.
- (c) Motors may be provided with optional space heaters rated 115/230 VAC max having a total watt dissipation of 100 Watts max.
- (d) Inverter Duty Ratings: VT: 20:1; CT: 10:1 or 3:1 (where applicable); CHP: See Table above
- (e) Motors installed at higher altitude of 1000 m to 4000 m, they will be de-rated according to CSA Std. 100-14, Table 4, Note 5, as Follows: "For machines that operate under the prevailing barometric pressure and that are designed not to exceed the specified temperatures at altitudes from 1000 to 4000 m, the temperatures, as checked at altitudes below 1000 m, shall be less than those listed in this Table by 1% for each 100 m of altitude in excess of 1000 m"

Detail Electrical Ratings DATA

MODEL

AEHH8B

3-PHASE SQUIRREL CAGE
HIGH EFFICIENCY INDUCTION MOTORS

Class I, Div. 2, Groups B, C and D; Temperature Coded T3, T3B, T3C

Class II, Div. 2, Groups F and G; Zone 22, Groups IIIA, and IIIB

Types AEHH-XX horizontal mounting with or without C, D or P Flange,
Frames Sizes 143 to 449 max, 2, 4, 6 and 8 pole rated 600V max, 300 hp max;
Class F, TEFC; 60 Hz @ 1.15 S.F. or 50 Hz @ 1.0 S.F. ,Continuous or Inverter duty @ 1.0 S.F.

8B: Non contacting seals per IEEE841 on both ends, plus epoxy paint for oil & chemical industry.

TYPE	POLES	HP	FRAME	SYN. SPEED	Variable Torque RPM (20:1)	Const. Torque RPM (10:1) or (5:1) or (3:1) or (2:1)	Const. HP RPM (max.)	TEMP. Code (Sine S.F. 1.15 / VFD 1.0)
AEHH/AEUH	6	5	215T	1200	58 - 1200	118 - 1200	1200 - 2400	T4 / T4
AEHH/AEUH	6	7.5	254T	1200	58 - 1200	118 - 1200	1200 - 2400	T3C / T3B
AEHH/AEUH	6	10	256T	1200	58 - 1200	118 - 1200	1200 - 2400	T3C / T3B
AEHH/AEUH	6	15	284T	1200	58 - 1200	118 - 1200	1200 - 2400	T3C / T3B
AEHH/AEUH	6	20	286T	1200	58 - 1200	118 - 1200	1200 - 2400	T3C / T3B
AEHH/AEUH	6	25	324T	1200	58 - 1200	118 - 1200	1200 - 2400	T3C / T3B
AEHH/AEUH	6	30	326T	1200	58 - 1200	118 - 1200	1200 - 2400	T3C / T3B
AEHH/AEUH	6	40	364T	1200	58 - 1200	118 - 1200	1200 - 2400	T3C / T3B
AEHH/AEUH	6	50	365T	1200	58 - 1200	118 - 1200	1200 - 2400	T3C / T3
AEHH/AEUH	6	60	404T	1200	58 - 1200	118 - 1200	1200 - 2400	T3C / T3
AEHH/AEUH	6	75	405T	1200	58 - 1200	118 - 1200	1200 - 2400	T3C / T3
AEHH/AEUH	6	100	444T	1200	58 - 1200	240 - 1200	1200 - 1800	T3C / T3
AEHH/AEUH	6	125	445T	1200	58 - 1200	240 - 1200	1200 - 1800	T3 / T3
AEHH/AEUH	6	150	447T	1200	58 - 1200	240 - 1200	1200 - 1800	T3 / T3
AEHH/AEUH	6	200	449T	1200	58 - 1200	400 - 1200	1200 - 1800	T3 / T3
AEHH/AEUH	6	250	449T	1200	58 - 1200	400 - 1200	1200 - 1800	T3 / T3
AEHH/AEUH	6	300	449T	1200	N/A	N/A	N/A	T2C (1.0) / NA
AEHH/AEUH	8	1	182T	900	43 - 900	88 - 900	900 - 1350	T3A / T3A
AEHH/AEUH	8	1.5	184T	900	43 - 900	88 - 900	900 - 1350	T3A / T3A
AEHH/AEUH	8	2	213T	900	43 - 900	88 - 900	900 - 1350	T3A / T3A
AEHH/AEUH	8	3	215T	900	43 - 900	88 - 900	900 - 1350	T3A / T3A
AEHH/AEUH	8	5	254T	900	43 - 900	88 - 900	900 - 1350	T3A / T3A
AEHH/AEUH	8	7.5	256T	900	43 - 900	88 - 900	900 - 1350	T3A / T3A
AEHH/AEUH	8	10	284T	900	43 - 900	88 - 900	900 - 1350	T3A / T3A
AEHH/AEUH	8	15	286T	900	43 - 900	88 - 900	900 - 1350	T3A / T3A
AEHH/AEUH	8	20	324T	900	43 - 900	88 - 900	900 - 1350	T3A / T3A
AEHH/AEUH	8	25	326T	900	43 - 900	88 - 900	900 - 1350	T3A / T3A
AEHH/AEUH	8	30	364T	900	43 - 900	88 - 900	900 - 1350	T3A / T3A
AEHH/AEUH	8	40	365T	900	43 - 900	88 - 900	900 - 1350	T3A / T3A
AEHH/AEUH	8	50	404T	900	43 - 900	88 - 900	900 - 1350	T3A / T3A
AEHH/AEUH	8	60	405T	900	43 - 900	88 - 900	900 - 1350	T3A / T3A
AEHH/AEUH	8	75	444T	900	43 - 900	300 - 900	900 - 1350	T3 / T3
AEHH/AEUH	8	100	445T	900	43 - 900	300 - 900	900 - 1350	T3 / T3
AEHH/AEUH	8	125	447T	900	43 - 900	300 - 900	900 - 1350	T3 / T3
AEHH/AEUH	8	150	449T	900	43 - 900	450 - 900	900 - 1350	T3 / T3
AEHH/AEUH	8	200	449T	900	43 - 900	450 - 900	900 - 1350	T3 / T3

CSA TEMPERATURE CODE

Temperature code	Maximum external surface temperature, °C
T2A	280
T2B	260
T2C	230
T2D	215
T3	200
T3A	180
T3B	165
T3C	160
T4	135
T4A	120
T5	100
T6	85

OUTLINE DIMENSIONS SHEET

MODEL

AEHH8B

3-PHASE INDUCTION MOTORS
FRAME SIZE 143T ~ 215T

Totally Enclosed Fan Cooled Type, Squirrel Cage Rotor

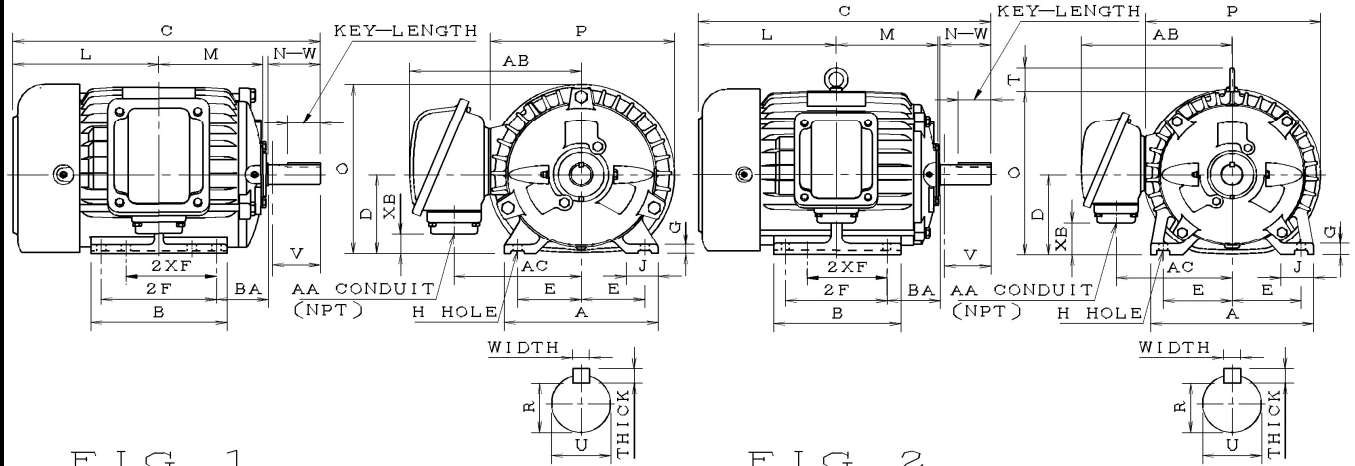


FIG. 1

FIG. 2

Dimension in inches

Output (HP)				Frame Size	Fig No.	Mounting					A	B	C	D	G	J	L	M
2P	4P	6P	8P			E	2F	2XF	H	BA								
1	1	—	—	143T	1	2.75	4.00	—	0.34	2.25	6.70	5.10	12.56	3.50	0.35	1.40	6.06	4.03
1.5	—	—	—	145T		2.75	5.00	4.00	0.34	2.25	6.70	5.90	13.54	3.50	0.35	1.40	6.54	4.53
3	3	1.5	1	182T	2	3.75	4.50	—	0.43	2.75	8.82	5.88	14.89	4.50	0.65	1.75	7.14	4.87
5	5	2	1.5	184T		3.75	5.50	4.50	0.43	2.75	8.82	6.89	15.91	4.50	0.65	1.75	7.66	5.37
7.5	7.5	3	2	213T		4.25	5.50	—	0.43	3.50	9.85	6.89	18.26	5.25	0.70	1.75	8.63	6.10
10	10	5	3	215T		4.25	7.00	5.50	0.43	3.50	9.85	8.35	19.76	5.25	0.70	1.75	9.38	6.85

Frame Size	O	P	T	Key			Keyseat R	Shaft Extension			Terminal Housing				Bearings	
				Width	Thick	Length		N-W	U	V	AA	AB	AC	XB	Drive End	Non-Drive End
143T	7.48	7.95	—	0.188	0.188	1.410	0.771	2.250	0.875	2.200	3/4	7.56	5.63	0.86	6205ZC3	6205ZC3
145T	7.48	7.95	—	0.188	0.188	1.410	0.771	2.250	0.875	2.200	3/4	7.56	5.63	0.86	6205ZC3	6205ZC3
182T	9.17	9.61	1.30	0.250	0.250	1.780	0.986	2.750	1.125	2.700	3/4	8.31	6.38	1.86	6306ZC3	6306ZC3
184T	9.17	9.61	1.30	0.250	0.250	1.780	0.986	2.750	1.125	2.700	3/4	8.31	6.38	1.86	6306ZC3	6306ZC3
213T	10.62	11.10	1.65	0.312	0.312	2.410	1.201	3.380	1.375	3.300	1	9.78	7.34	2.34	6308ZC3	6306ZC3
215T	10.62	11.10	1.65	0.312	0.312	2.410	1.201	3.380	1.375	3.300	1	9.78	7.34	2.34	6308ZC3	6306ZC3

- Note :**
1. Dimension D tolerance : +0.00 inch, -0.03 inches.
 2. Dimension U tolerance : +0.000 inch, -0.0005 inches.
 3. Dimension R tolerance : +0.000 inch, -0.015 inches.
 4. Dimension V is length of straight part of shaft.

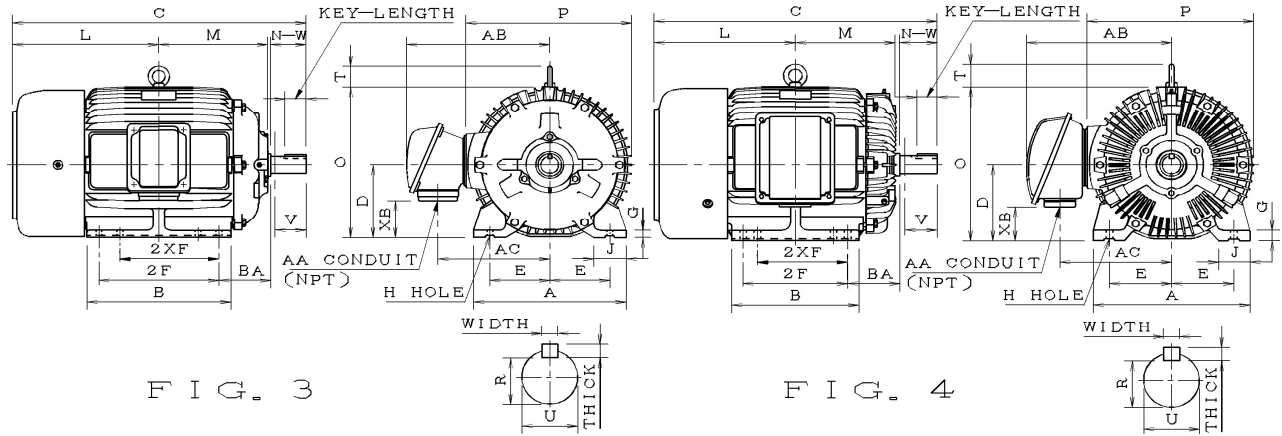
OUTLINE DIMENSIONS SHEET

MODEL

AEHH8B

3-PHASE INDUCTION MOTORS
FRAME SIZE 254T ~ 365TS

Totally Enclosed Fan Cooled Type, Squirrel Cage Rotor



Dimension in inches

Output (HP)				Frame Size	Fig No.	Mounting					A	B	C	D	G	J	L	M
2P	4P	6P	8P			E	2F	2XF	H	BA								
15	15	7.5	5	254T	3	5.00	8.25	—	0.53	4.25	11.81	9.85	23.78	6.25	0.66	1.95	11.41	8.06
20	20	10	7.5	256T		5.00	10.00	8.25	0.53	4.25	11.81	11.81	25.52	6.25	0.66	1.95	12.27	8.93
—	25	15	10	284T		5.50	9.50	—	0.53	4.75	13.98	11.69	26.80	7.00	0.78	2.95	12.68	9.23
25	—	—	—	284TS		5.50	9.50	9.50	0.53	4.75	13.98	11.69	25.43	7.00	0.78	2.95	12.68	9.23
—	30	20	15	286T		5.50	11.00	—	0.53	4.75	13.98	13.19	28.30	7.00	0.78	2.95	13.43	9.98
30	—	—	—	286TS		5.50	11.00	9.50	0.53	4.75	13.98	13.19	26.93	7.00	0.78	2.95	13.43	9.98
—	40	25	20	324T	4	6.25	10.50	—	0.67	5.25	15.75	12.80	29.93	8.00	1.10	3.15	14.18	10.10
40	—	—	—	324TS		6.25	10.50	10.50	0.67	5.25	15.75	12.80	28.43	8.00	1.10	3.15	14.18	10.10
—	50	30	25	326T		6.25	12.00	—	0.67	5.25	15.75	14.37	31.43	8.00	1.10	3.15	14.93	10.85
50	—	—	—	326TS		6.25	12.00	10.50	0.67	5.25	15.75	14.37	29.92	8.00	1.10	3.15	14.93	10.85
—	60	40	30	364T		7.00	11.25	—	0.67	5.88	17.70	13.78	32.57	9.00	1.32	3.54	15.17	11.09
60	—	—	—	364TS		7.00	11.25	11.25	0.67	5.88	17.70	13.78	30.44	9.00	1.32	3.54	15.17	11.09
—	75	50	40	365T		7.00	12.25	—	0.67	5.88	17.70	14.76	33.55	9.00	1.32	3.54	15.67	11.59
75	—	—	—	365TS		7.00	12.25	11.25	0.67	5.88	17.70	14.76	31.42	9.00	1.32	3.54	15.67	11.59

Frame Size	O	P	T	Key			Keyseat	Shaft Extension			Terminal Housing				Bearings	
				Width	Thick	Length	R	N-W	U	V	AA	AB	AC	XB	Drive End	Non-Drive End
254T	12.80	13.15	2.01	0.375	0.375	2.910	1.416	4.000	1.625	3.900	1 1/4	11.30	8.86	3.22	6309ZC3	6307ZC3
256T	12.80	13.15	2.01	0.375	0.375	2.910	1.416	4.000	1.625	3.900	1 1/4	11.30	8.86	3.22	6309ZC3	6307ZC3
284T	14.50	15.05	2.36	0.500	0.500	3.280	1.591	4.620	1.875	4.500	1 1/2	13.27	10.35	3.54	6311ZC3	6310ZC3
284TS	14.50	15.05	2.36	0.375	0.375	1.930	1.416	3.250	1.625	3.200	1 1/2	13.27	10.35	3.54	6311ZC3	6310ZC3
286T	14.50	15.05	2.36	0.500	0.500	3.280	1.591	4.620	1.875	4.500	1 1/2	13.27	10.35	3.54	6311ZC3	6310ZC3
286TS	14.50	15.05	2.36	0.375	0.375	1.930	1.416	3.250	1.625	3.200	1 1/2	13.27	10.35	3.54	6311ZC3	6310ZC3
324T	16.22	16.55	2.36	0.50	0.50	3.910	1.845	5.250	2.125	5.150	2	14.72	11.30	3.59	6312ZC3	6212ZC3
324TS	16.22	16.55	2.36	0.500	0.500	2.030	1.591	3.750	1.875	3.650	2	14.72	11.30	3.59	6312ZC3	6212ZC3
326T	16.22	16.55	2.36	0.50	0.50	3.910	1.845	5.250	2.125	5.150	2	14.72	11.30	3.59	6312ZC3	6212ZC3
326TS	16.22	16.55	2.36	0.500	0.500	2.030	1.591	3.750	1.875	3.650	2	14.72	11.30	3.59	6312ZC3	6212ZC3
364T	17.99	18.03	2.76	0.625	0.625	4.280	2.021	5.880	2.375	5.750	3	16.81	12.99	2.39	6313ZC3	6213ZC3
364TS	17.99	18.03	2.76	0.500	0.500	2.030	1.591	3.750	1.875	3.650	3	16.81	12.99	2.39	6312ZC3	6212ZC3
365T	17.99	18.03	2.76	0.625	0.625	4.280	2.021	5.880	2.375	5.750	3	16.81	12.99	2.39	6313ZC3	6213ZC3
365TS	17.99	18.03	2.76	0.500	0.500	2.030	1.591	3.750	1.875	3.650	3	16.81	12.99	2.39	6312ZC3	6212ZC3

- Note :**
1. Dimension D tolerance : +0.00 inch, -0.03 inches.
 2. Dimension U tolerance : +0.000 inch, -0.001 inches.
 3. Dimension R tolerance : +0.000 inch, -0.015 inches.
 4. Dimension V is length of straight part of shaft.

OUTLINE DIMENSIONS SHEET

MODEL

AEHH8B

3-PHASE INDUCTION MOTORS
FRAME SIZE 404T ~ 405TS

Totally Enclosed Fan Cooled Type, Squirrel Cage Rotor

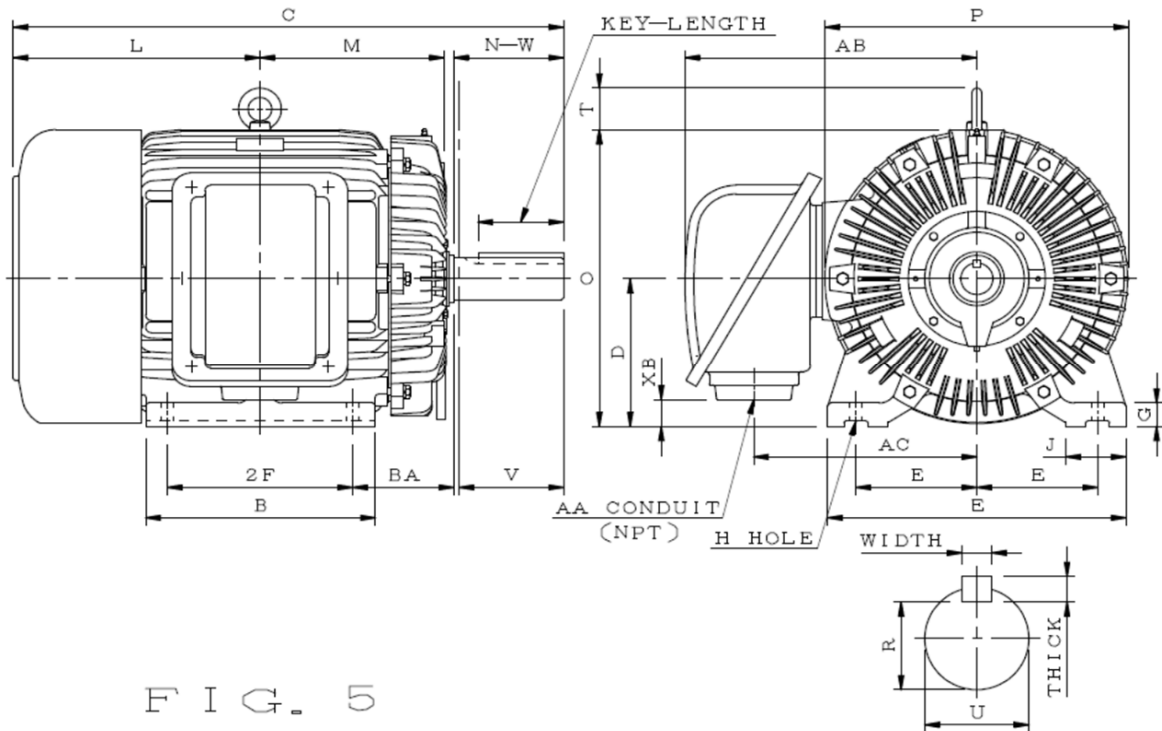


FIG. 5

Dimension in inches

Output (HP)				Frame Size	Fig No.	Mounting					A	B	C	D	G	J	L	M
2P	4P	6P	8P			E	2F	2XF	H	BA								
—	—	60	50	404T	5	8.00	12.25	—	0.81	6.62	19.68	15.16	36.49	10.00	1.57	3.94	16.49	12.52
—	100	75	60	405T		8.00	13.75	12.25	0.81	6.62	19.68	16.73	37.99	10.00	1.57	3.94	17.24	13.27
100	—	—	—	405TS		8.00	13.75	12.25	0.81	6.62	19.68	16.73	34.99	10.00	1.57	3.94	17.24	13.27

Frame Size	O	P	T	Key			Keyseat	Shaft Extension			Terminal Housing				Bearings	
				Width	Thick	Length	R	N-W	U	V	AA	AB	AC	XB	Drive End	Non-Drive End
404T	20.00	20.08	3.54	0.750	0.750	5.650	2.450	7.250	2.875	7.160	3	19.41	14.76	1.81	6317C3	6313ZC3
405T	20.00	20.08	3.54	0.750	0.750	5.650	2.450	7.250	2.875	7.160	3	19.41	14.76	1.81	6317C3	6313ZC3
405TS	20.00	20.08	3.54	0.500	0.500	2.780	1.845	4.250	2.125	4.130	3	19.41	14.76	1.81	6313C3	6313ZC3

- Note :**
1. Dimension D tolerance : +0.00 inch, -0.03 inches.
 2. Dimension U tolerance : +0.000 inch, -0.001 inches.
 3. Dimension R tolerance : +0.000 inch, -0.015 inches.
 4. Dimension V is length of straight part of shaft.

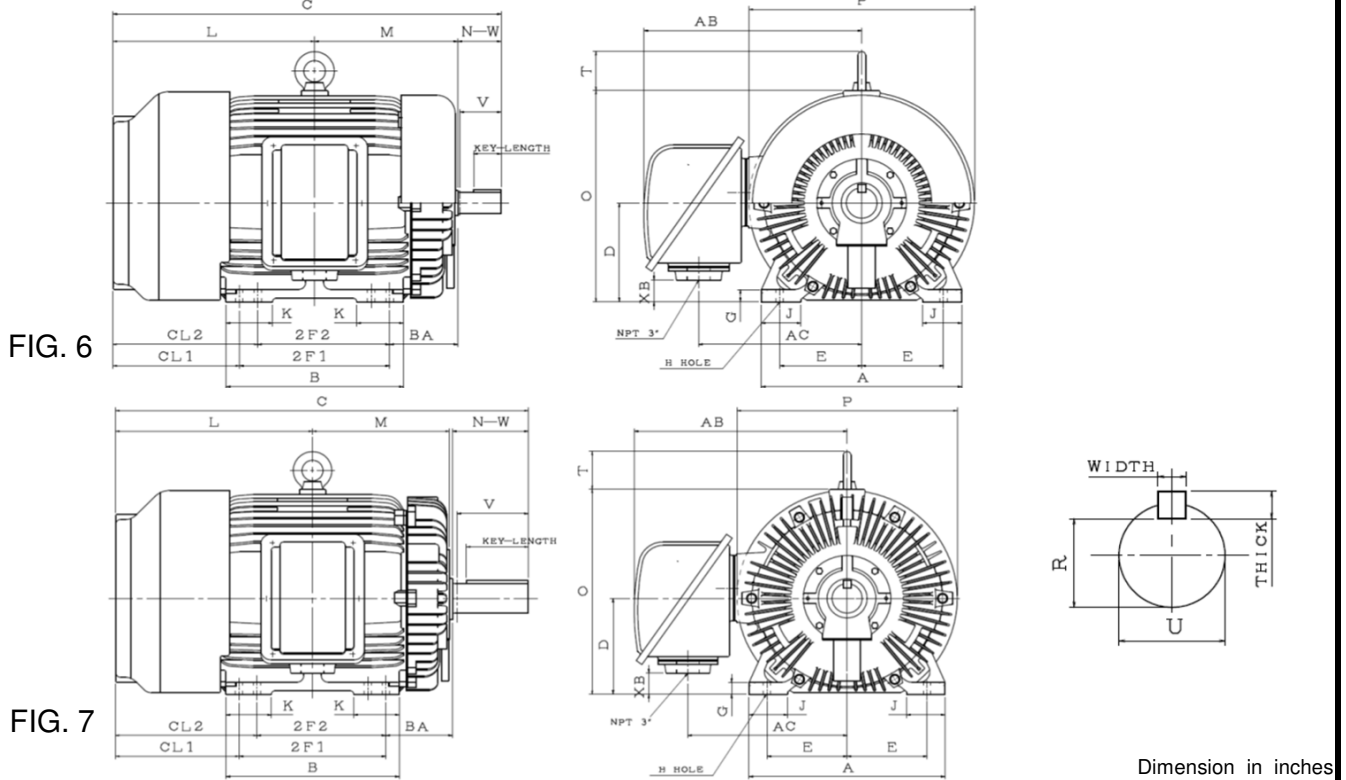
OUTLINE DIMENSIONS SHEET

MODEL

AEHH8B

3-PHASE INDUCTION MOTORS
FRAME SIZE 444T ~ 445 T&TS

Totally Enclosed Fan Cooled Type, Squirrel Cage Rotor



Dimension in inches

Output (HP)				Frame Size	Fig No.	Mounting					A	B	C	CL1	CL2	D	G	J	K
2P	4P	6P	8P			E	2F1	2F2	H	BA									
—	125	100	75	444T	7	9.00	14.50	—	0.81	7.50	22.05	17.50	44.40	13.90	—	11.00	1.40	4.35	4.35
125	—	—	—	444TS	6	9.00	14.50	—	0.81	7.50	22.05	17.50	40.65	13.90	—	11.00	1.40	4.35	4.35
—	150	125	75	445T	7	9.00	16.50	14.50	0.81	7.50	22.05	19.50	46.40	13.90	15.90	11.00	1.40	4.35	5.10
150	—	—	—	445TS	6	9.00	16.50	14.50	0.81	7.50	22.05	19.50	42.65	13.90	15.90	11.00	1.40	4.35	5.10

Frame Size	L	M	O	P	T	Key			Keyseat	Shaft Extension			Terminal Housing			Bearings	
						Width	Thick	Length	R	N-W	U	V	AB	AC	XB	Drive End	Non-Drive End
444T	21.15	14.40	23.55	24.75	4.35	0.875	0.875	6.910	2.880	8.500	3.375	8.000	24.00	17.90	2.40	6318C3	6316C3
444TS	21.15	14.40	23.55	24.75	4.35	0.625	0.625	3.030	2.021	4.750	2.375	4.500	24.00	17.90	2.40	6314C3	6314C3
445T	22.15	15.40	23.55	24.75	4.35	0.875	0.875	6.910	2.880	8.500	3.375	8.000	24.00	17.90	2.40	6318C3	6316C3
445TS	22.15	15.40	23.55	24.75	4.35	0.625	0.625	3.030	2.021	4.750	2.375	4.500	24.00	17.90	2.40	6314C3	6314C3

- Note :**
1. Dimension D tolerance : +0.001 inches, -0.06 inches.
 2. Dimension U tolerance : +0.000 inch, -0.001 inches.
 3. Dimension R tolerance : +0.000 inch, -0.015 inches.
 4. Dimension V is length of straight part of shaft.
 5. For Direct Flexible Coupling.

OUTLINE DIMENSIONS SHEET

MODEL

AEHH8B

3-PHASE INDUCTION MOTORS
FRAME SIZE 447T ~ 449 T&TS

Totally Enclosed Fan Cooled Type, Squirrel Cage Rotor

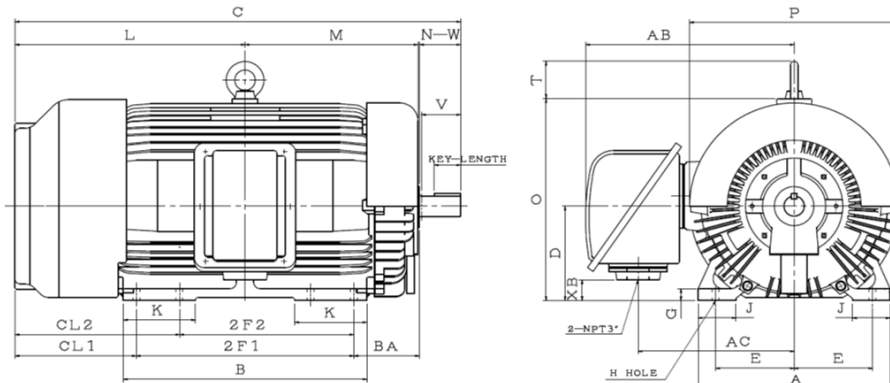


FIG. 8

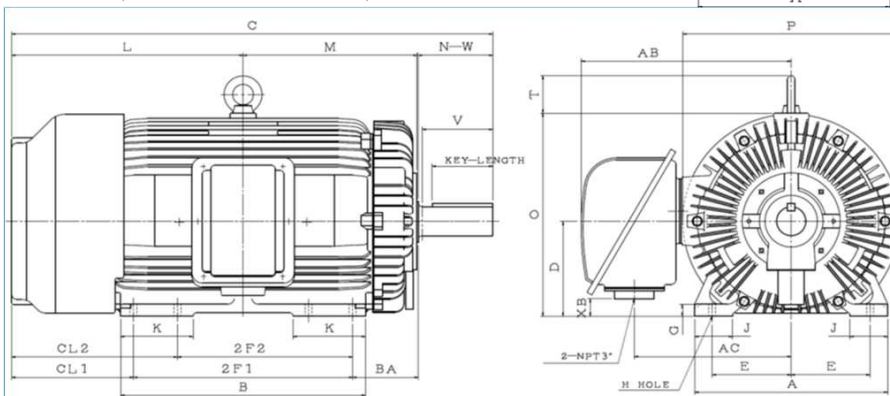


FIG. 9

Dimension in inches

Output (HP)				Frame Size	Fig No.	Mounting					A	B	C	CL1	CL2	D	G	J	K
2P	4P	6P	8P			E	2F1	2F2	H	BA									
—	200	150	125	447T	9	9.00	20.00	16.50	0.81	7.50	22.05	23.25	49.90	13.90	17.4	11.00	1.40	4.35	6.70
200	—	—	—	447TS	8	9.00	20.00	16.50	0.81	7.50	22.05	23.25	46.15	13.90	17.4	11.00	1.40	4.35	6.70
—	250 300	200 250 300	150	449T	9	9.00	25.00	20.00	0.81	7.50	22.05	27.95	54.90	13.90	18.90	11.00	1.40	4.35	8.25
250	—	—	—	449TS	8	9.00	25.00	20.00	0.81	7.50	22.05	27.95	51.15	13.90	18.90	11.00	1.40	4.35	8.25

Frame Size	L	M	O	P	T	Key			Keyseat	Shaft Extension			Terminal Housing			Bearings	
						Width	Thick	Length	R	N-W	U	V	AB	AC	XB	Drive End	Non-Drive End
447T	23.90	17.15	23.55	24.75	4.35	0.875	0.875	6.910	2.880	8.500	3.375	8.000	24.00	17.90	2.02	6320C3	6316C3
447TS	23.90	17.15	23.55	24.75	4.35	0.625	0.625	3.030	2.021	4.750	2.375	4.500	24.00	17.90	2.02	6314C3	6314C3
449T	26.40	19.65	23.55	24.75	4.35	0.875	0.875	6.910	2.880	8.500	3.375	8.000	24.00	17.90	2.02	6320C3	6316C3
449TS	26.40	19.65	23.55	24.75	4.35	0.625	0.625	3.030	2.021	4.750	2.375	4.500	24.00	17.90	2.02	6314C3	6314C3

- Note :**
1. Dimension D tolerance : +0.00 inch, -0.06 inches.
 2. Dimension U tolerance : +0.000 inch, -0.001 inches.
 3. Dimension R tolerance : +0.000 inch, -0.015 inches.
 4. Dimension V is length of straight part of shaft.
 5. For Direct Flexible Coupling.

OUTLINE DIMENSIONS SHEET

MODEL

AEHH8B

3-PHASE INDUCTION MOTORS
FRAME SIZE 449 TS(2P-300HP)

Totally Enclosed Fan Cooled Type, Squirrel Cage Rotor

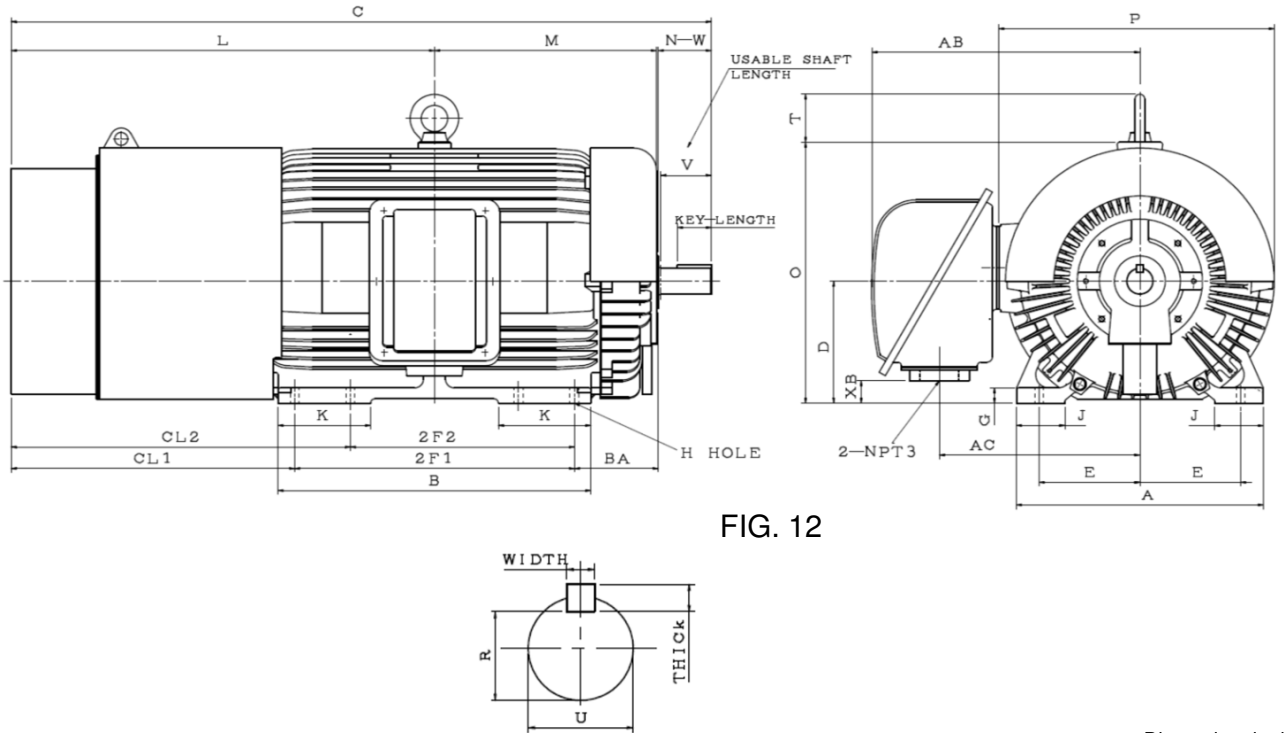


FIG. 12

Dimension in inches

Output (HP)				Frame Size	Fig No.	Mounting					A	B	C	CL1	CL2	D	G	J	K
2P	4P	6P	8P			E	2F1	2F2	H	BA									
300	—	—	—	449TS	12	9.00	25.00	20.00	13/16	7.50	22.05	27.95	62.58	25.33	30.33	11.00	1.40	4.35	8.25

Frame Size	L	M	O	P	T	Key			Keyseat	Shaft Extension			Terminal Housing			Bearings	
						Width	Thick	Length	R	N-W	U	V	AB	AC	XB	Drive End	Non-Drive End
449TS	37.83	19.65	23.55	24.75	4.35	0.625	0.625	3.030	2.021	4.750	2.375	4.500	24.00	17.90	2.02	6314C3	6314C3

- Note :**
1. Dimension D tolerance : +0.00 inch, -0.06 inches.
 2. Dimension U tolerance : +0.000 inch, -0.001 inches.
 3. Dimension R tolerance : +0.000 inch, -0.015 inches.
 4. Dimension V is length of straight part of shaft.
 5. For Direct Flexible Coupling.

OUTLINE DIMENSIONS SHEET

MODEL

AEHH8B

3-PHASE INDUCTION MOTORS
FRAME SIZE SUPER 449 T & TS

Totally Enclosed Fan Cooled Type, Squirrel Cage Rotor

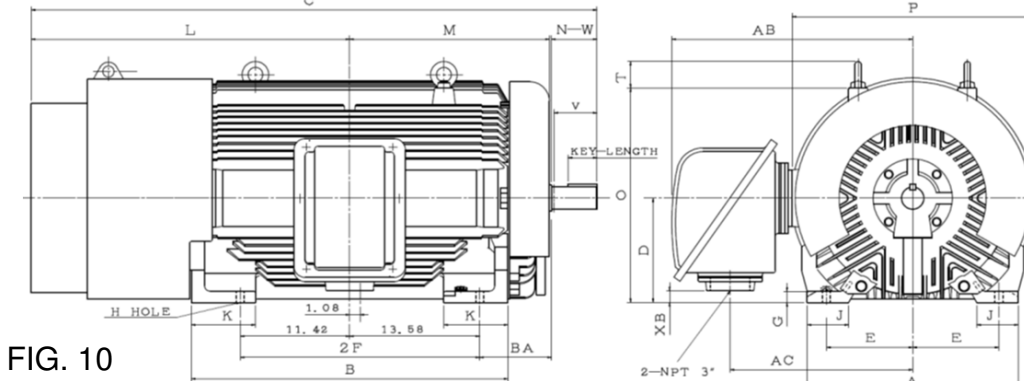


FIG. 10

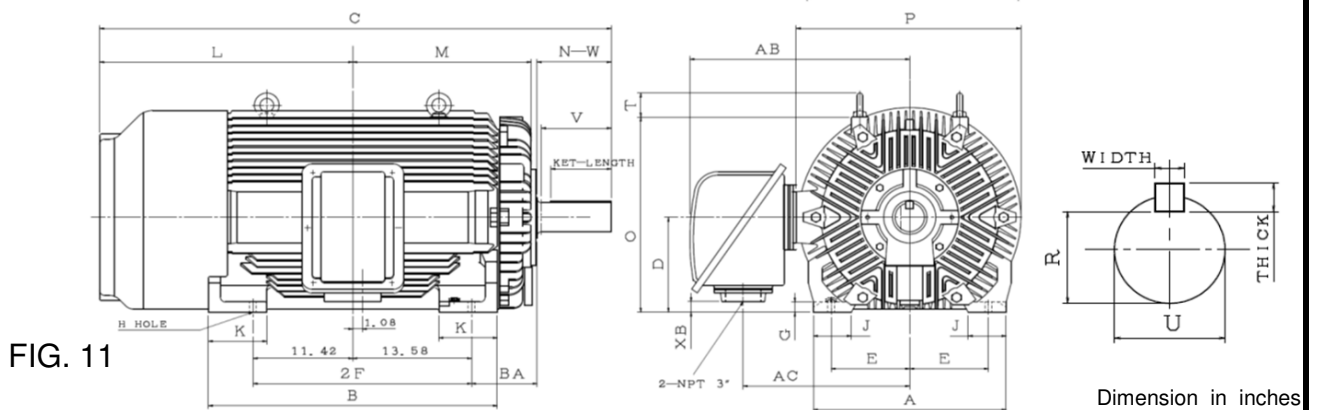


FIG. 11

Dimension in inches

Output (HP)		Frame Size	Fig No.	Mounting				A	B	C	D	G	J	K	L	M
2P	4P			E	2F	H	BA									
—	350	449T	11	9.00	25.00	0.81	7.50	22.05	33.10	58.56	11.00	1.18	4.35	6.70	29.05	20.81
350	—	449TS	10	9.00	25.00	0.81	7.50	22.05	33.10	59.10	11.00	1.18	4.35	6.70	33.27	20.81

Frame Size	O	P	T	Key			Keyseat	Shaft Extension			Terminal Housing			Bearings	
				Width	Thick	Length	R	N-W	U	V	AB	AC	XB	Drive End	Non-Drive End
447T	22.60	25.45	4.30	0.875	0.875	6.890	2.880	8.500	3.375	8.000	25.15	19.05	0.65	6320C3	6316C3
449TS	22.60	25.45	4.30	0.625	0.625	3.030	2.021	4.750	2.375	4.500	25.15	19.05	0.65	6314C3	6314C3

- Note :**
1. Dimension D tolerance : +0.00 inch, -0.06 inches.
 2. Dimension U tolerance : +0.000 inch, -0.001 inches.
 3. Dimension R tolerance : +0.000 inch, -0.015 inches.
 4. Dimension V is length of straight part of shaft.
 5. For Direct Flexible Coupling.